

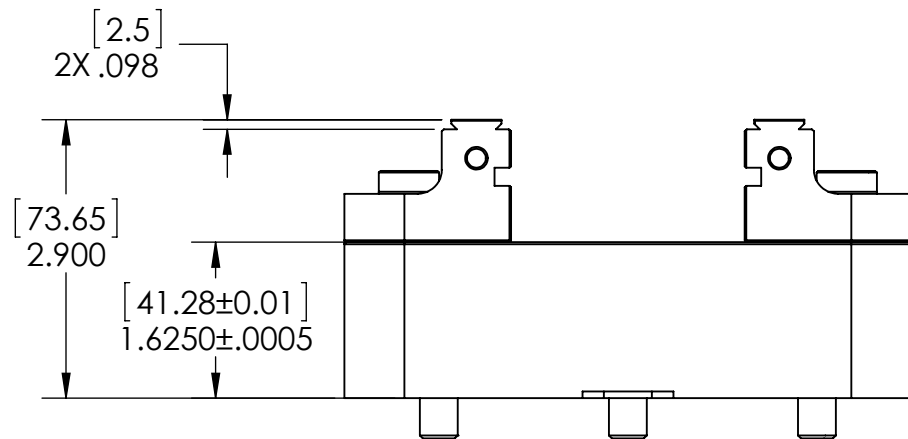
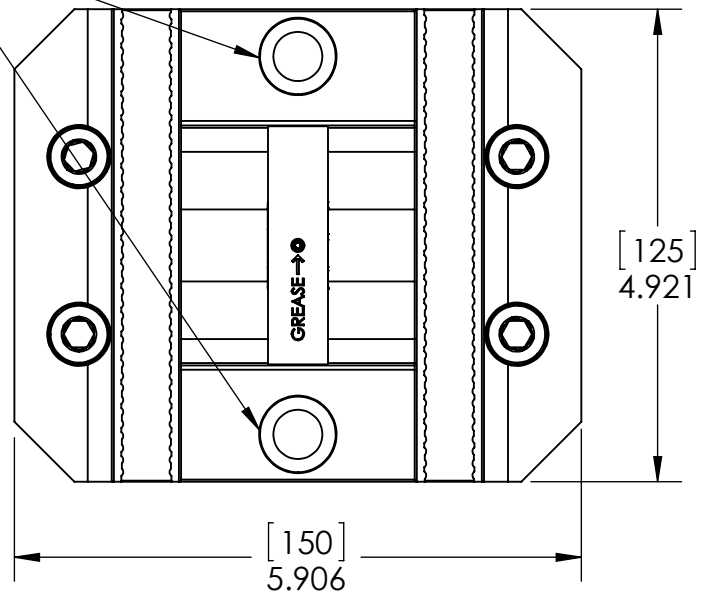
DRILLED AND COUNTERBORED FOR STANDARD M12 SOCKET HEAD CAP SCREWS

D

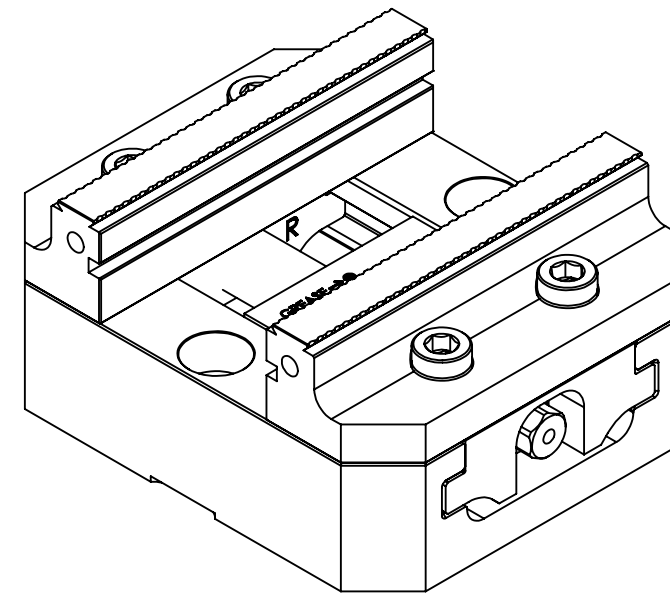
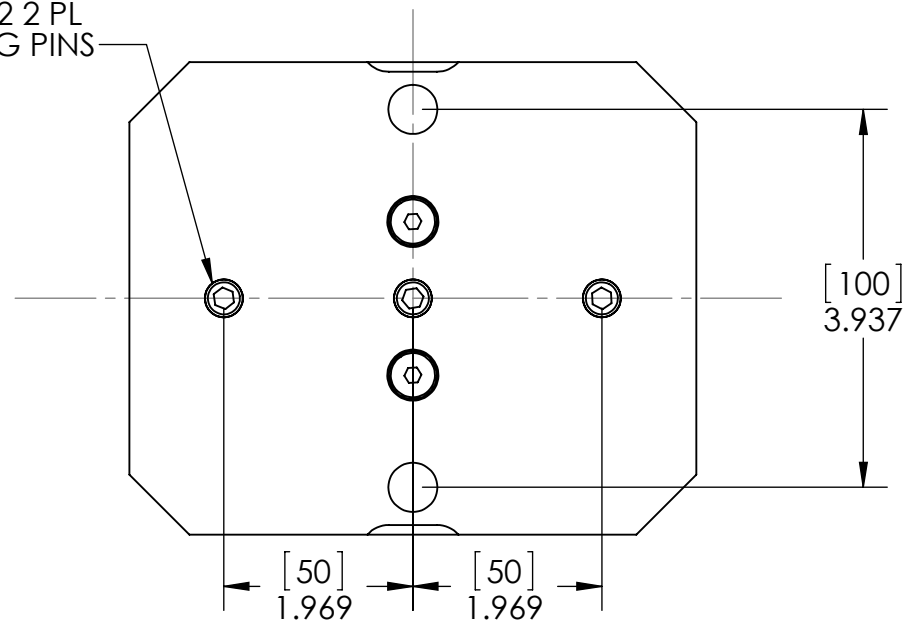
C

B

A



LOCATION BORES MEASURE .3942 ±.0002 2 PL SHOWN WITH OPTIONAL 10MM LOCATING PINS

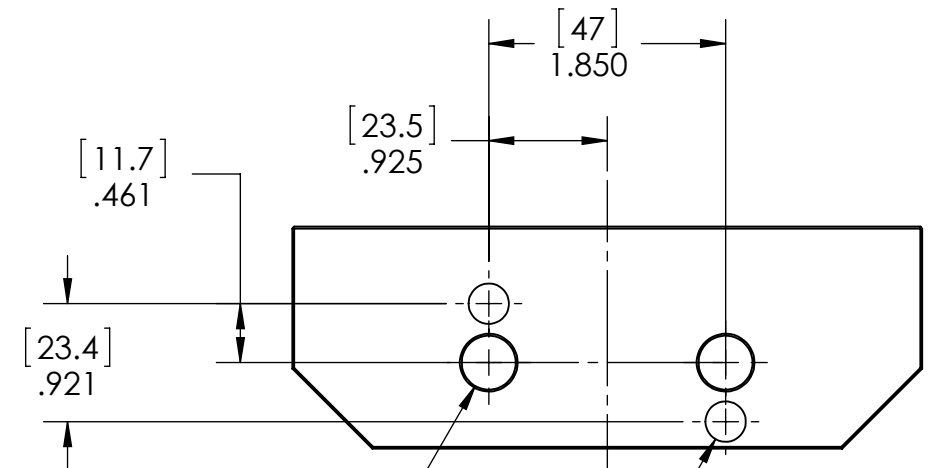


D

C

B

RECOMMENDED DIMENSIONS AND HOLE LOCATIONS FOR CUTTING SOFT JAWS - BOTTOM SIDE SHOWN



2X ϕ .422 [10.72] THRU ALL
 \square ϕ .660 [16.76] ∇ AS NECESSARY ON FAR SIDE

2X ϕ .3155 [8.01] \pm .0002 [0.01] ∇ .2700 [6.86]
 WHEN USING REMOVABLE LOCATING PINS

\oplus ϕ .002

8

7

6

5

4

3

2

1