

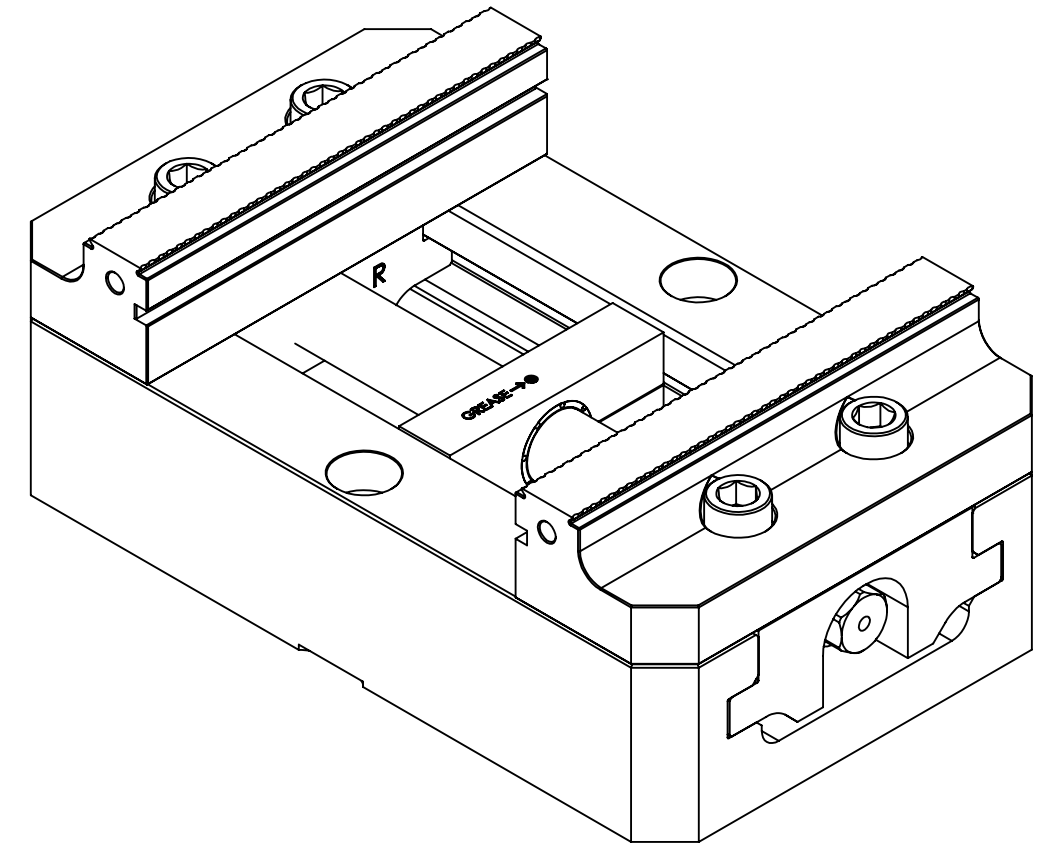
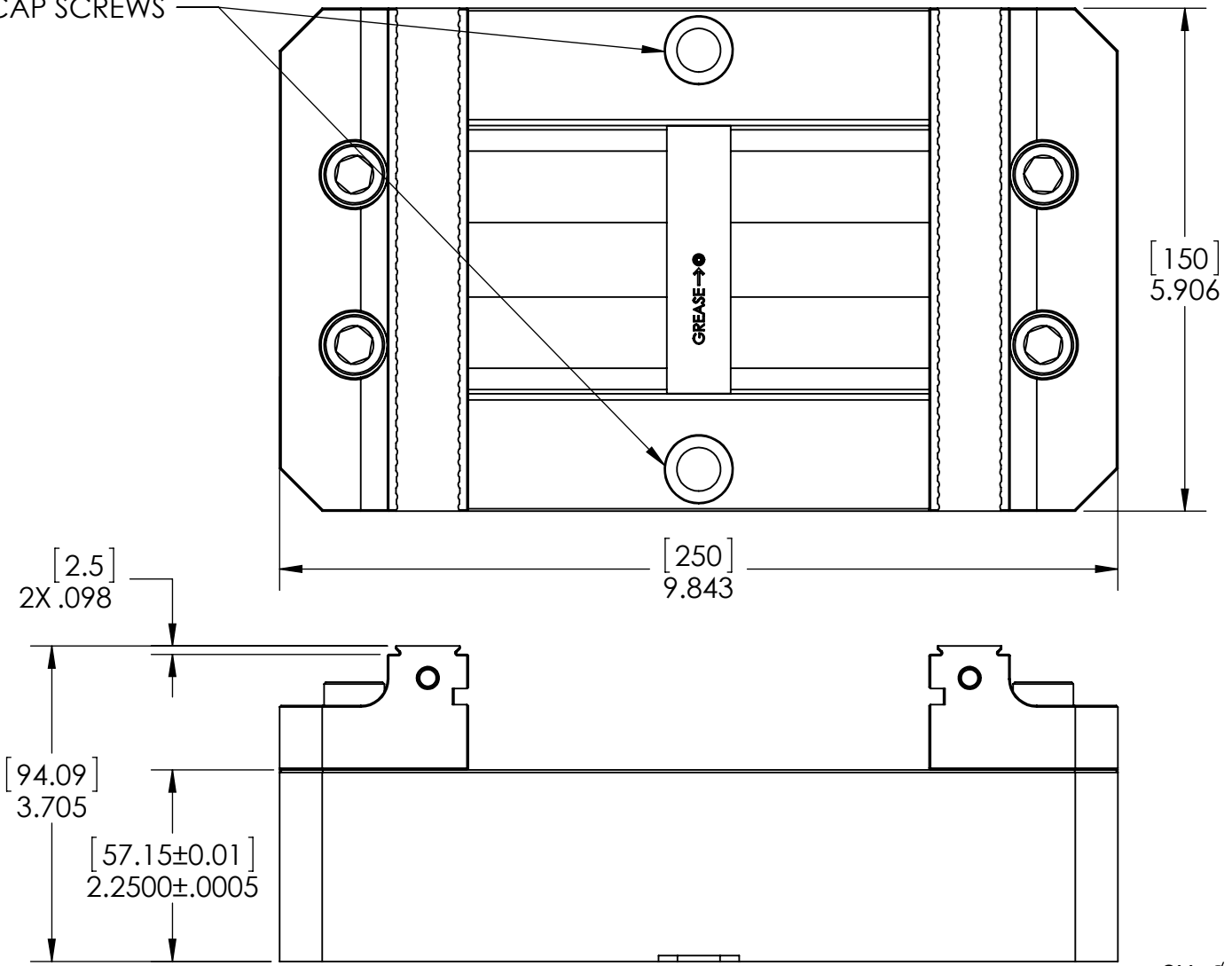
DRILLED AND COUNTERBORED FOR
M12" SOCKET HEAD CAP SCREWS

D

C

B

A



D

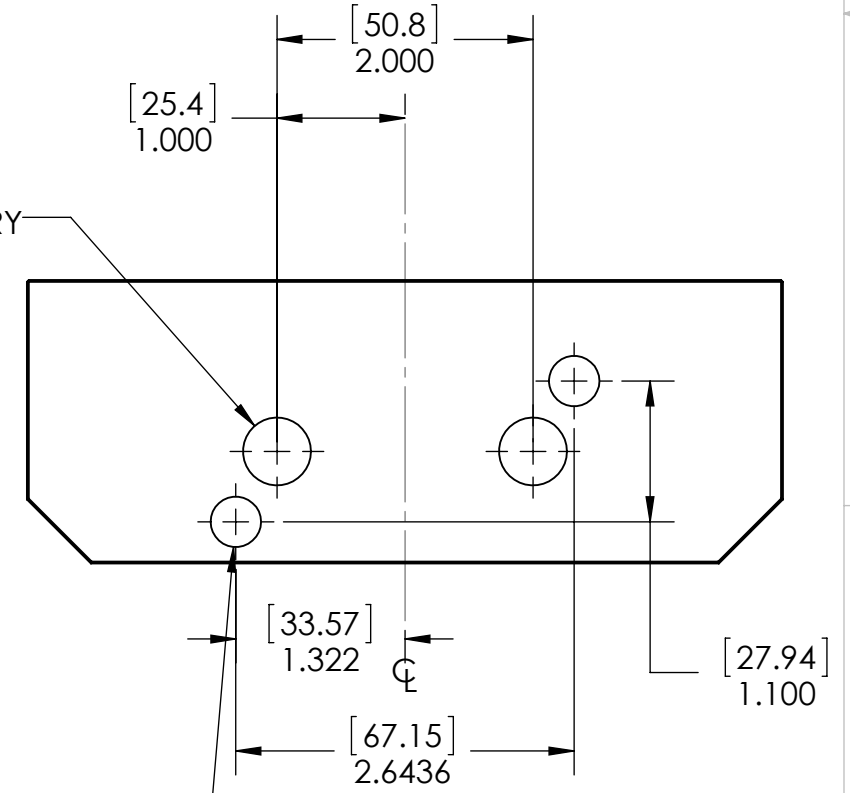
C

B

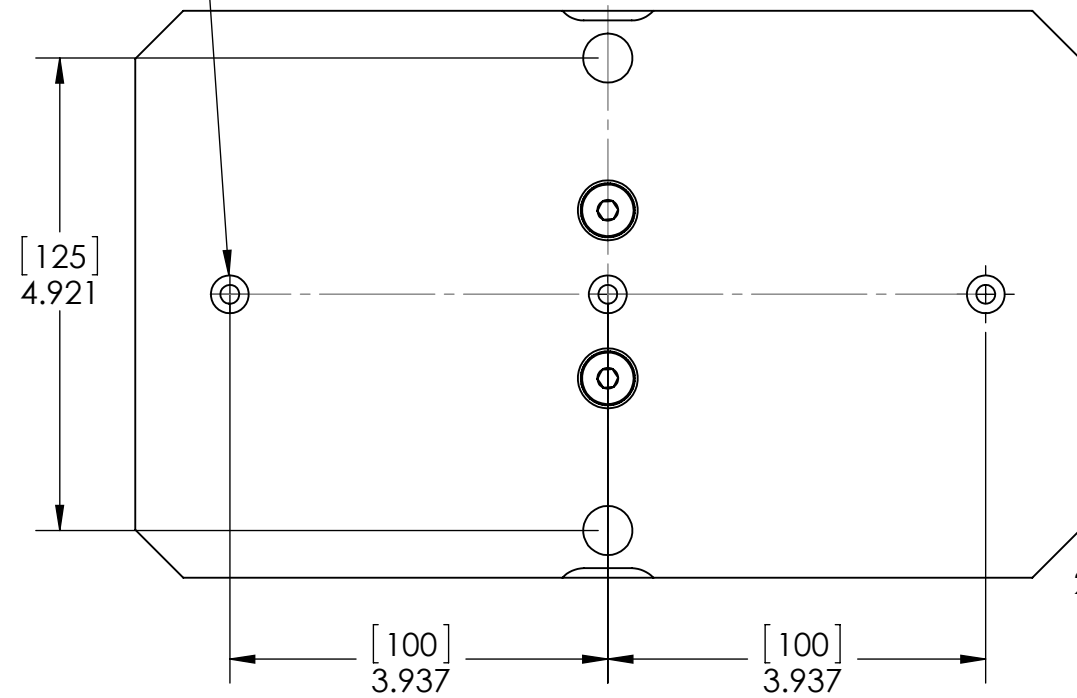
A

RECOMMENDED DIMENSIONS AND HOLE LOCATIONS FOR
CUTTING SOFT JAWS - BOTTOM SIDE SHOWN

2X ϕ .530 [13.46] THRU ALL
 ϕ 1.450 [36.83] ∇ AS NECESSARY
FAR SIDE



LOCATION BORES MEASURE $.3942 \pm .0002$ 2PL
SHOWN WITH OPTIONAL 10MM LOCATING PINS



WHEN USING REMOVABLE LOCATING PINS
2X ϕ .3942 [10.01] $\pm .0002$ [0.01] ∇ .400 [10.16]

ϕ .002

8 7 6 5 4 3 2 1

8 7 6 5 4 3 2 1