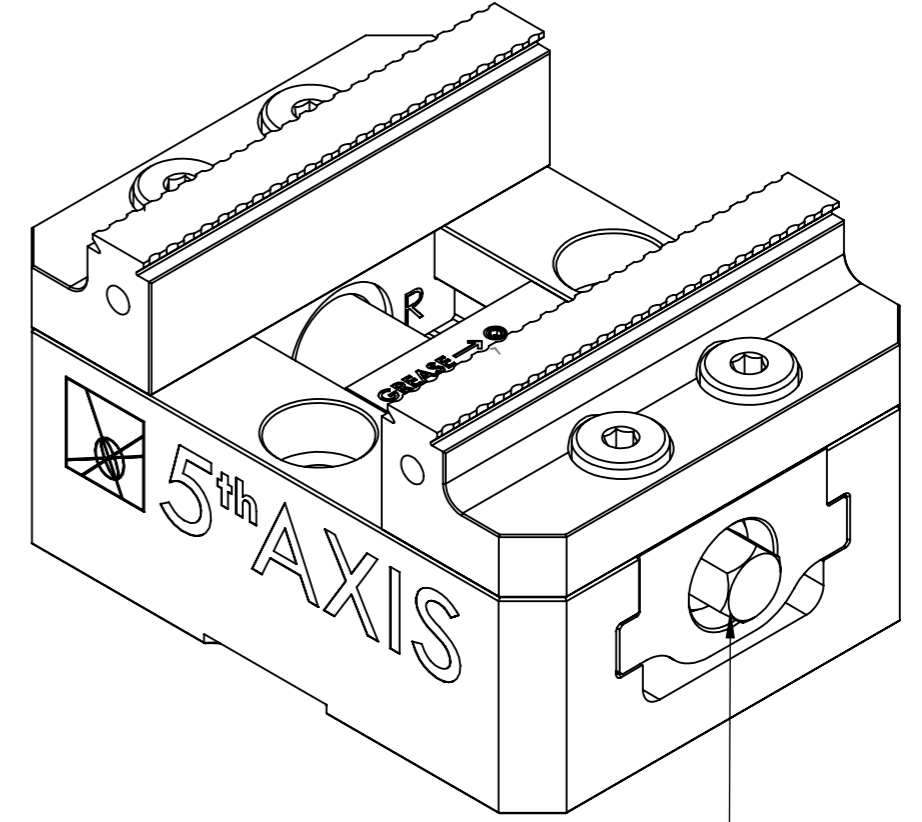
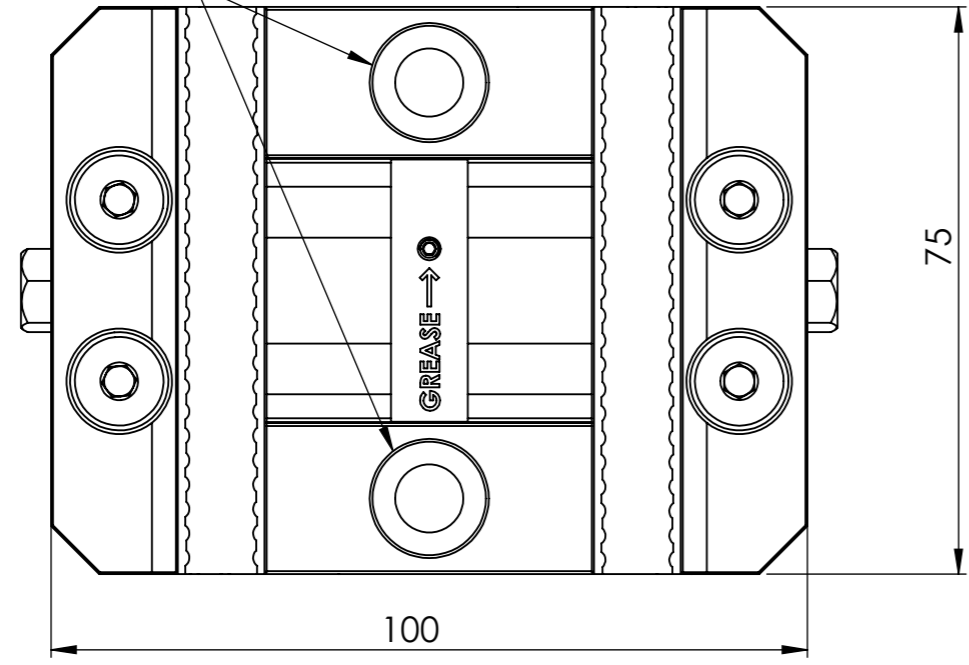
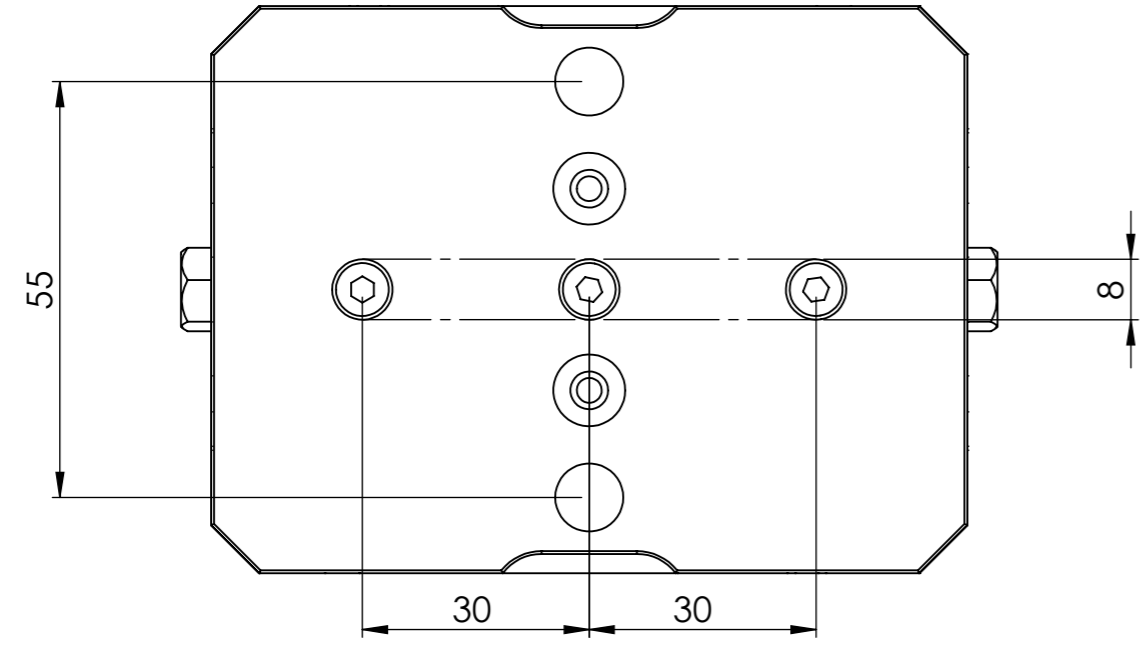
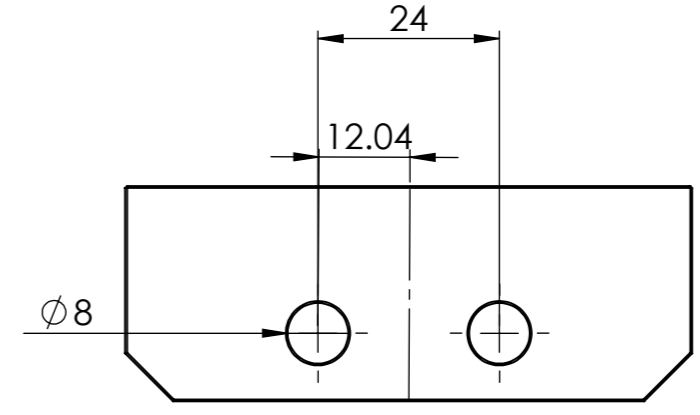
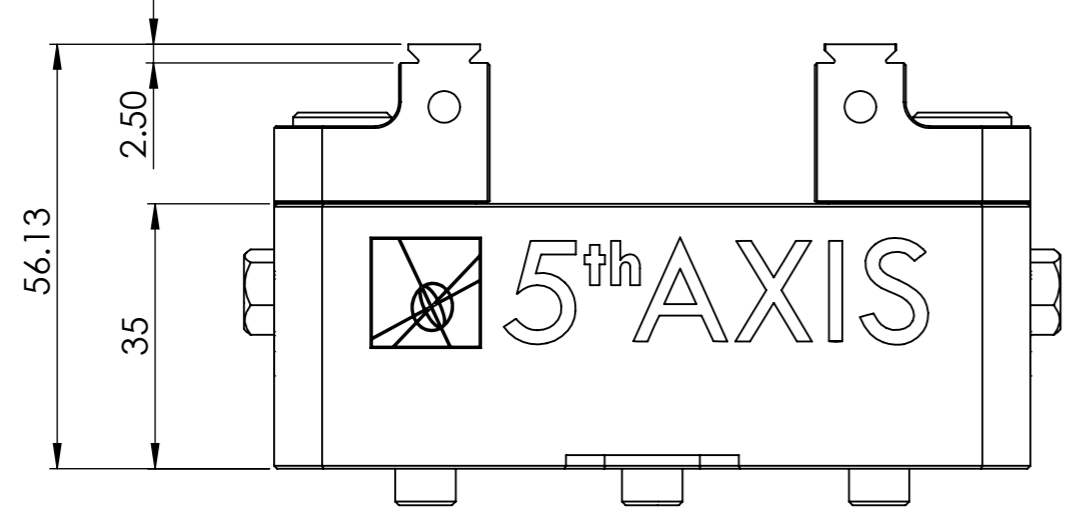


# V75100

Drilled and counter bored for  
M8 Socket head Cap Screws



10 mm Hex Leadscrew



ALL DIMENSIONS ARE IN MM

TITLE:	
DWG NO.	V75100 VISE
WEIGHT:	
SCALE:	1:2