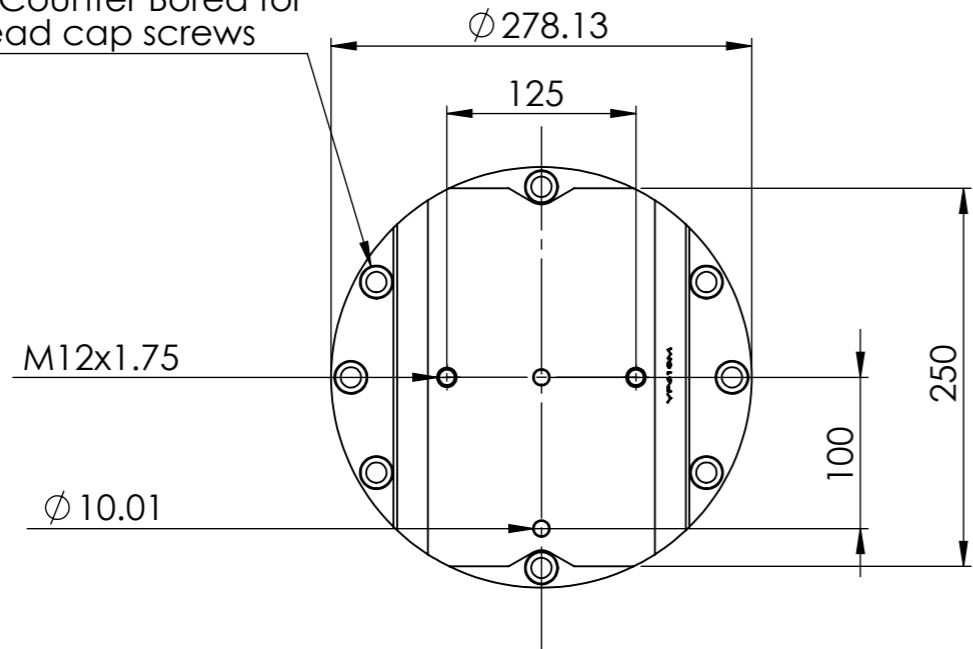


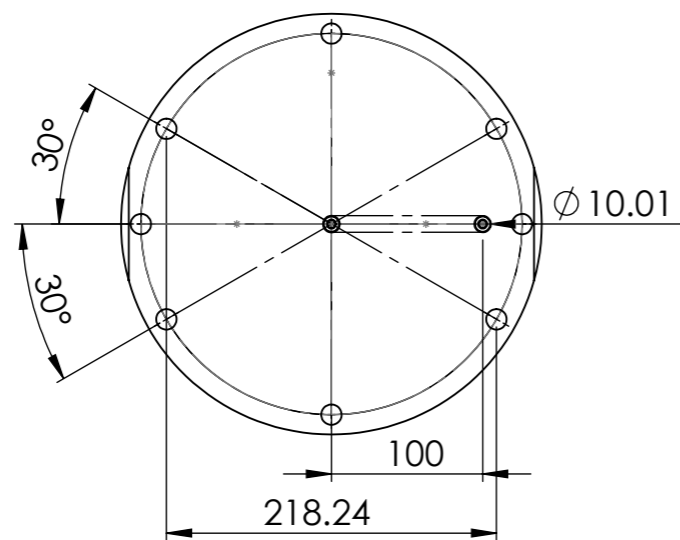
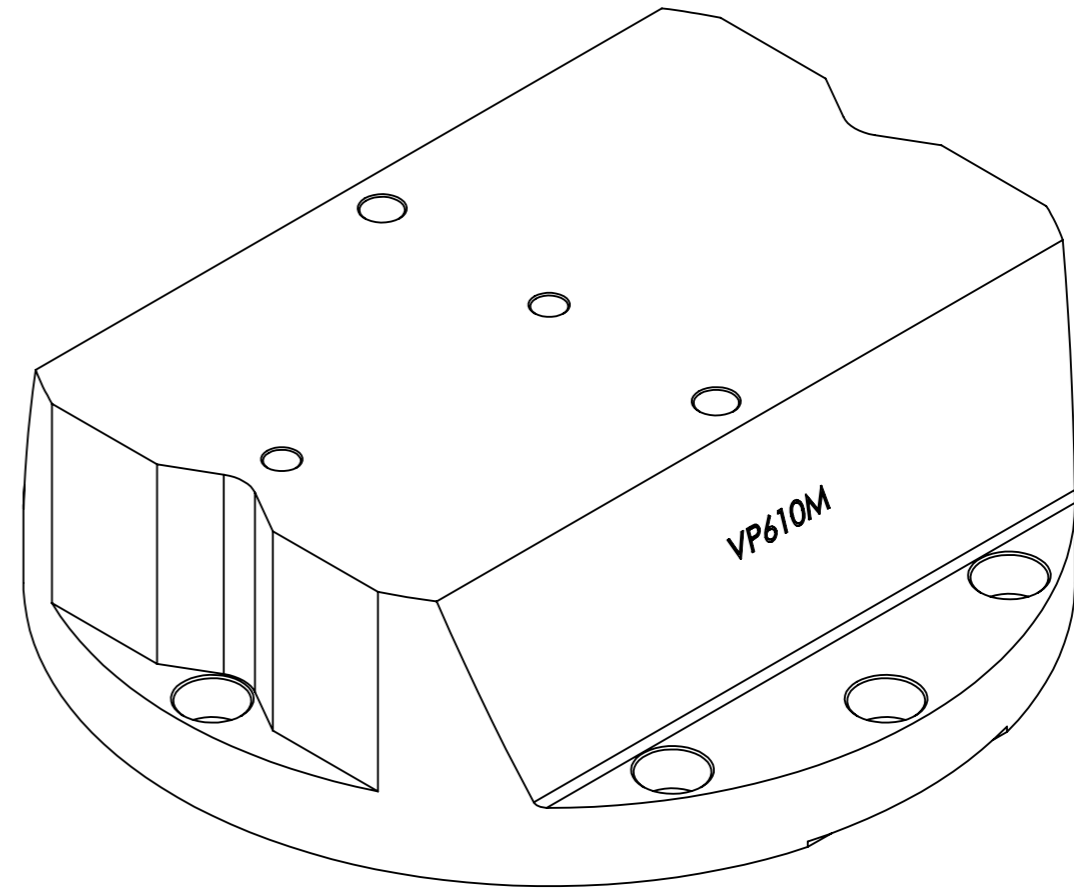
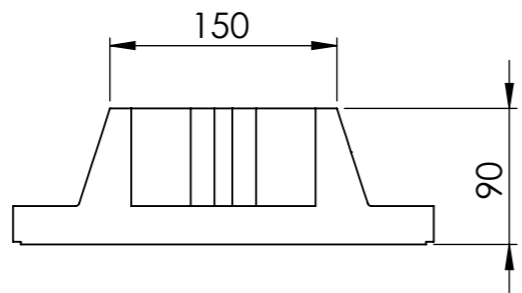
VP610M

8X Drilled and Counter Bored for M12 Socket head cap screws



M12x1.75

$\phi 10.01$



All Dimensions are in mm

TITLE:
**METRIC RISER FOR
V6105M**
DWG NO.
VP610M drw