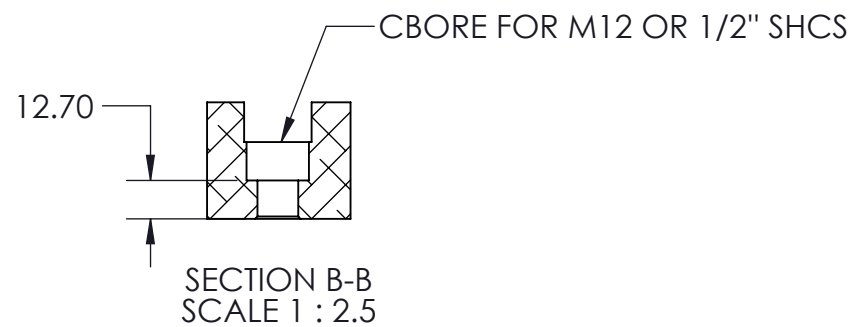
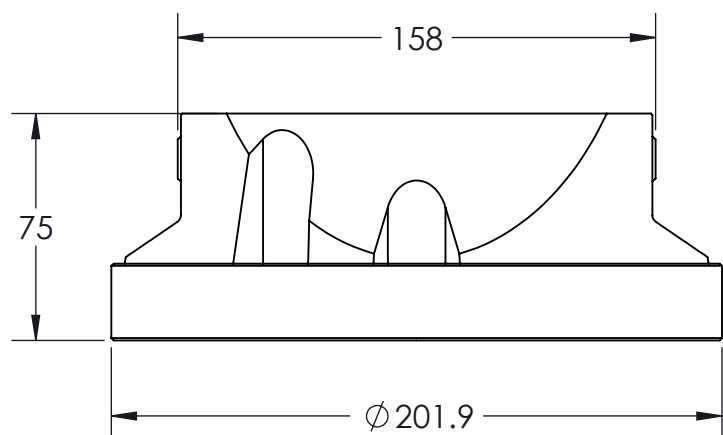
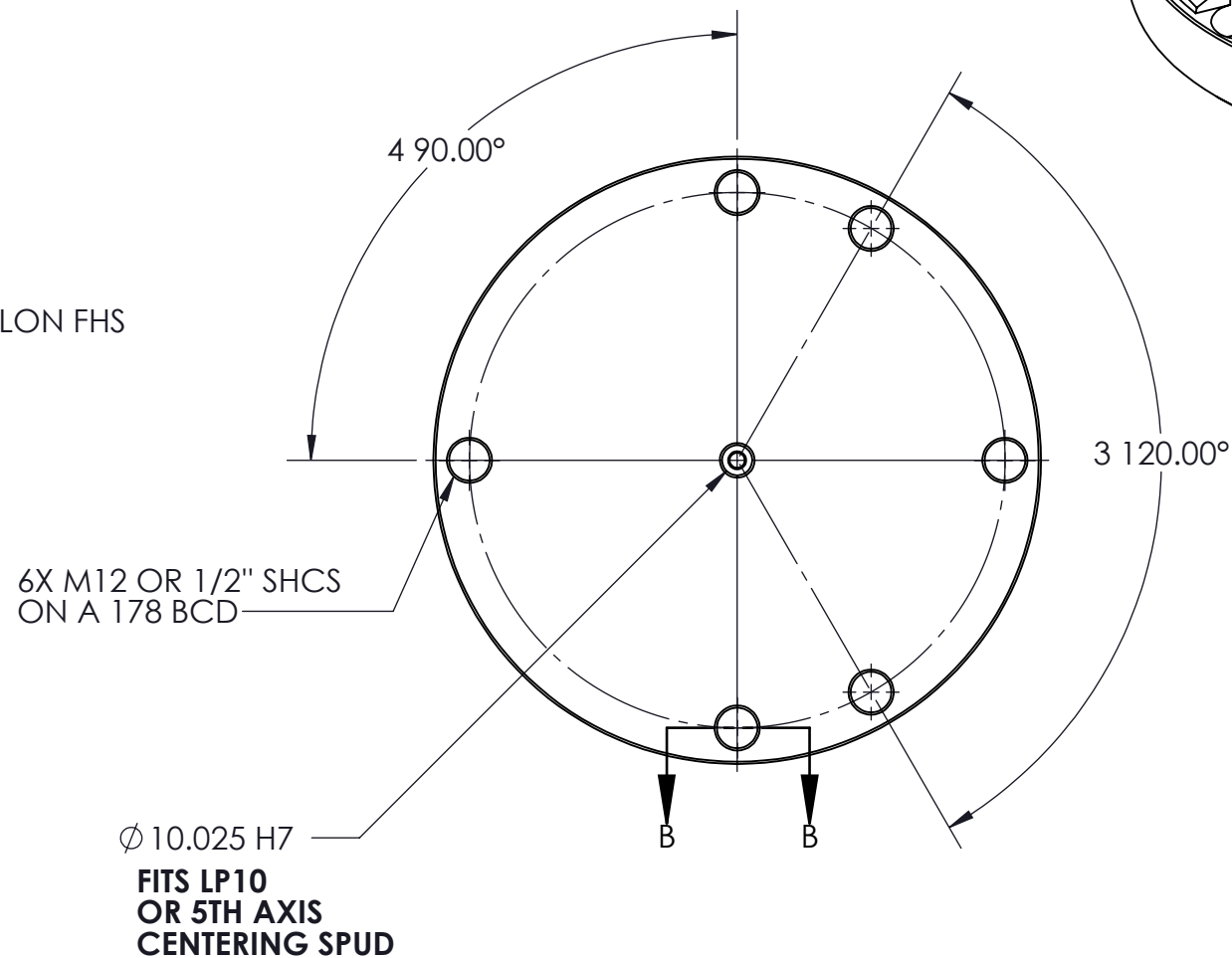
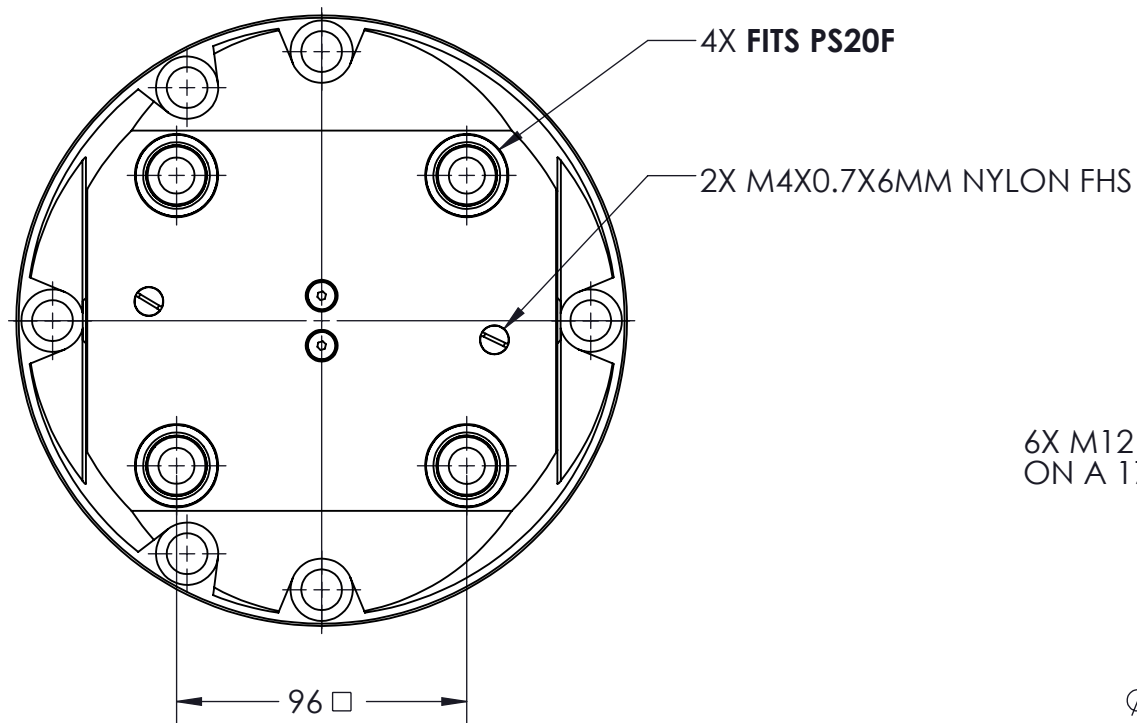
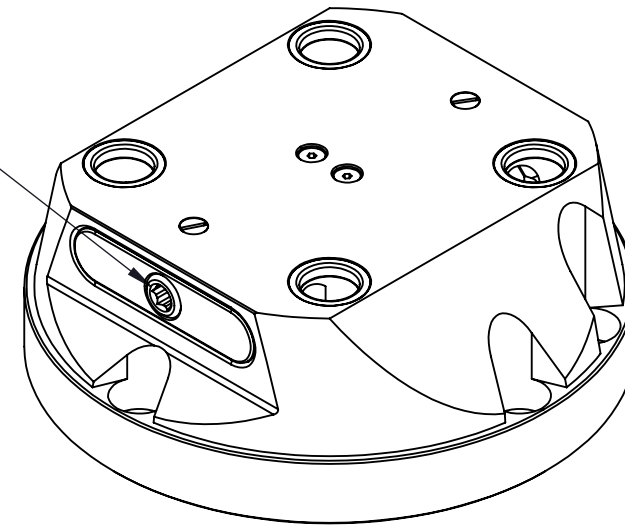


RL96A-38

2X 8MM HEX



MILLIMETER	TOLERANCES
DRAWN IN ACCORDANCE WITH ASME Y14.5-2009	UNLESS OTHERWISE SPECIFIED
PROPRIETARY AND CONFIDENTIAL	X ± 1.0 .X ± 0.3 ANGLULAR ± 0.5° .XX ± 0.13
THE INFORMATION CONTAINED IN THIS DRAWING IS THE SOLE PROPERTY OF FIFTH AXIS, INC. ANY REPRODUCTION IN PART OR AS A WHOLE WITHOUT THE WRITTEN PERMISSION OF FIFTH AXIS, INC. IS PROHIBITED.	THIRD ANGLE PROJECTION

	WWW.FIFTHAXIS.COM 7140 ENGINEER ROAD SAN DIEGO, CA 92111 P (858) 505-0432 F (858) 505-9344	
	DESCRIPTION ROCKLOCK™ 96MM RISER	
SIZE B	PART NO. RL96A-38	REV A
DO NOT SCALE DRAWING	SCALE 2:1	WEIGHT: SHEET 1 OF 1