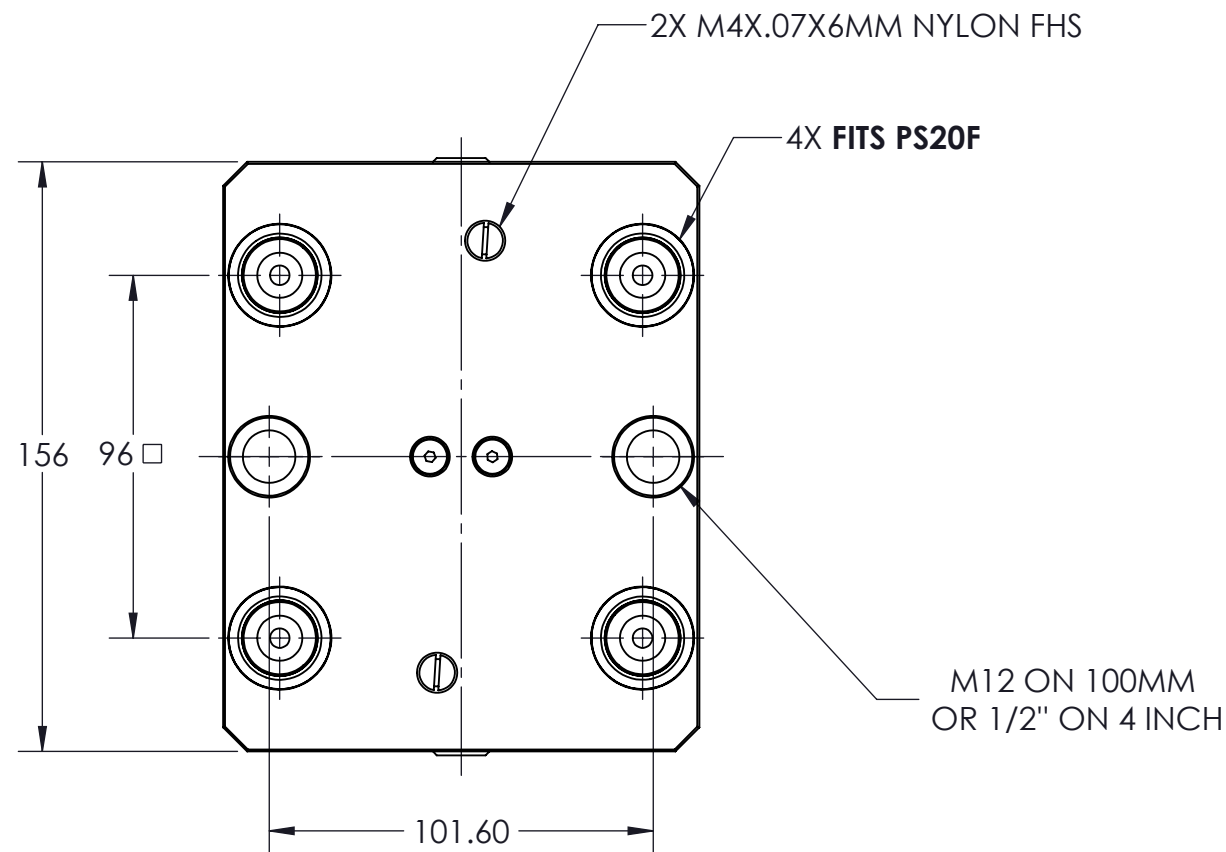
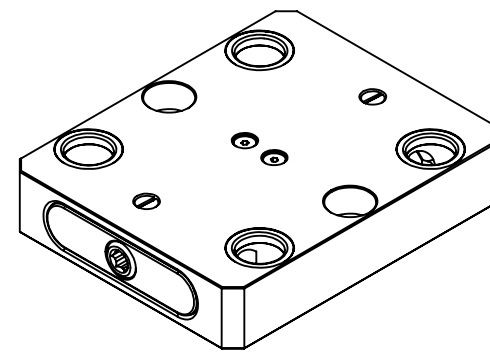
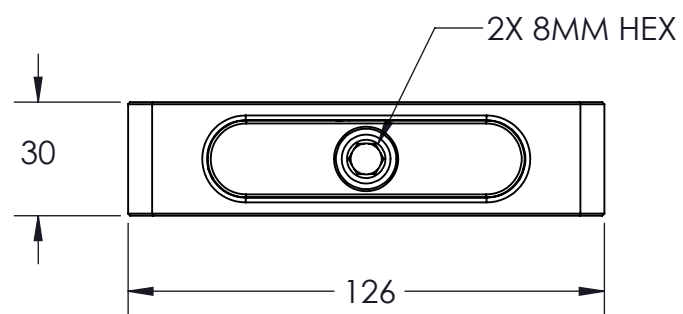
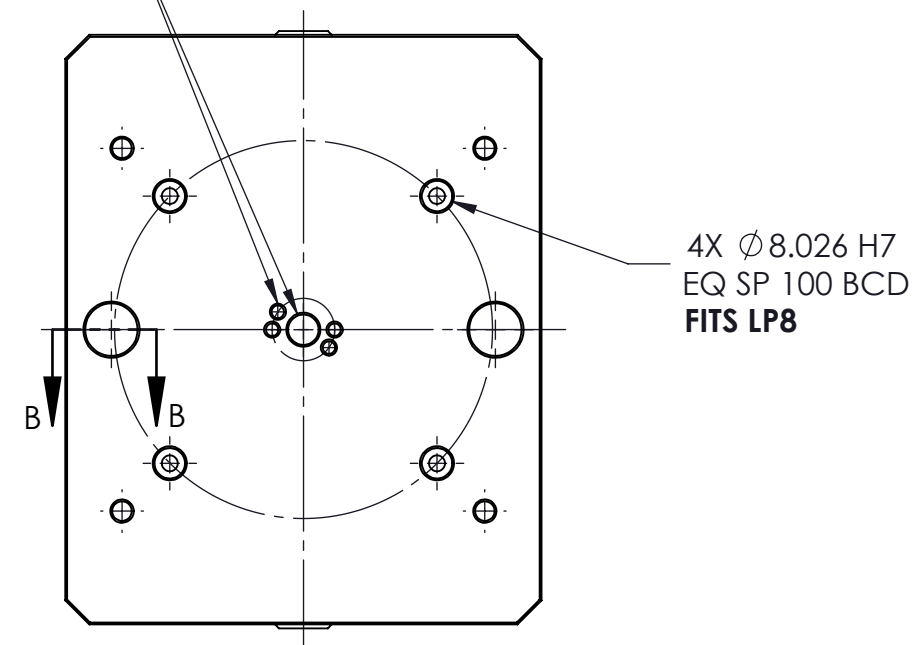


# RL96S-56 RL96A-56

MATERIAL:  
RL96S-56: 1018 STEEL BODY  
RL96A-56: 6061 ALUMINIUM BODY



FOR 5TH AXIS  
CENTERING SPUD



SECTION B-B  
SCALE 1 : 2

<b>MILLIMETER</b>	<b>TOLERANCES</b>
DRAWN IN ACCORDANCE WITH ASME Y14.5-2009	UNLESS OTHERWISE SPECIFIED
<b>PROPRIETARY AND CONFIDENTIAL</b>	X ± 1.0 .X ± 0.3 ANGLULAR ± 0.5° .XX ± 0.13
THE INFORMATION CONTAINED IN THIS DRAWING IS THE SOLE PROPERTY OF FIFTH AXIS, INC. ANY REPRODUCTION IN PART OR AS A WHOLE WITHOUT THE WRITTEN PERMISSION OF FIFTH AXIS, INC. IS PROHIBITED.	THIRD ANGLE PROJECTION

	WWW.FIFTHAXIS.COM 7140 ENGINEER ROAD SAN DIEGO, CA 92111 P (858) 505-0432 F (858) 505-9344	
	DESCRIPTION <b>ROCKLOCK™ LOW PROFILE BASE</b>	
SIZE <b>B</b>	PART NO. <b>RL96-56</b>	REV <b>A</b>
DO NOT SCALE DRAWING	SCALE 2:1	WEIGHT: SHEET 1 OF 1