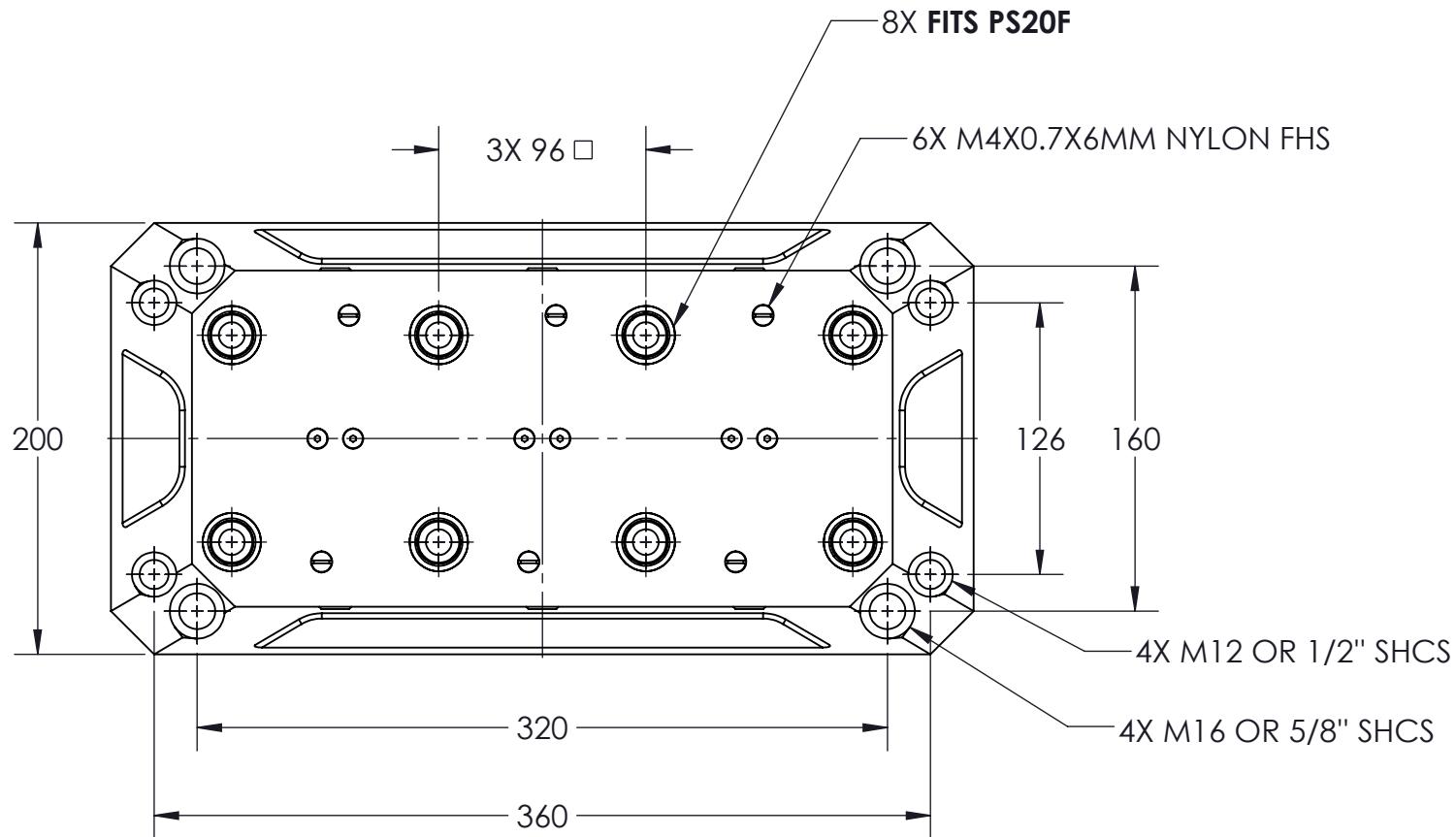
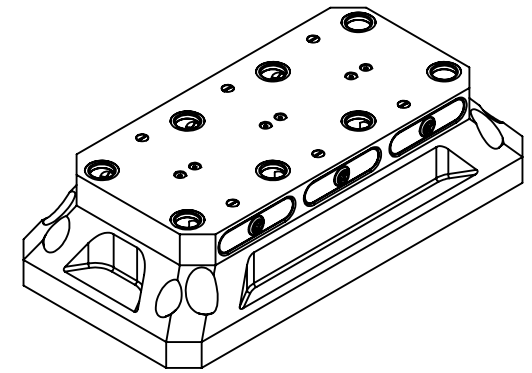
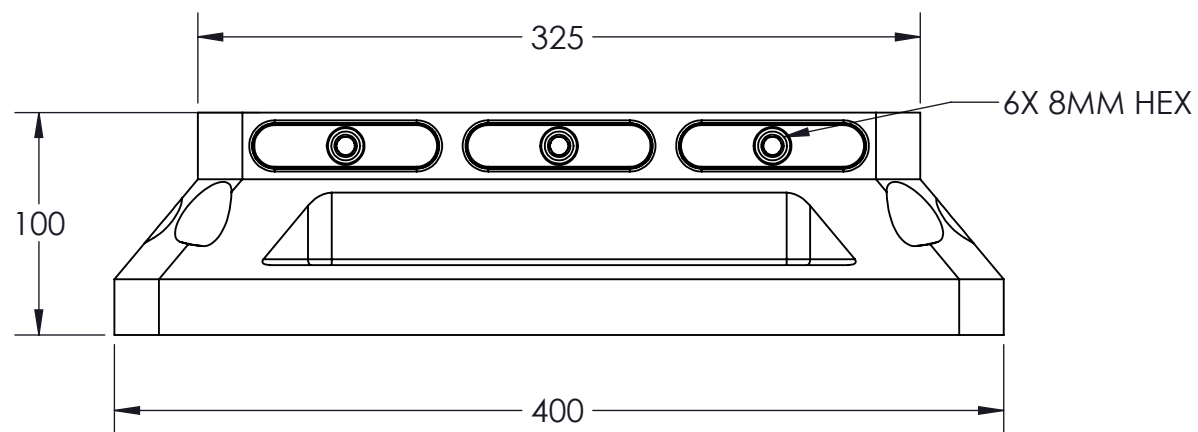
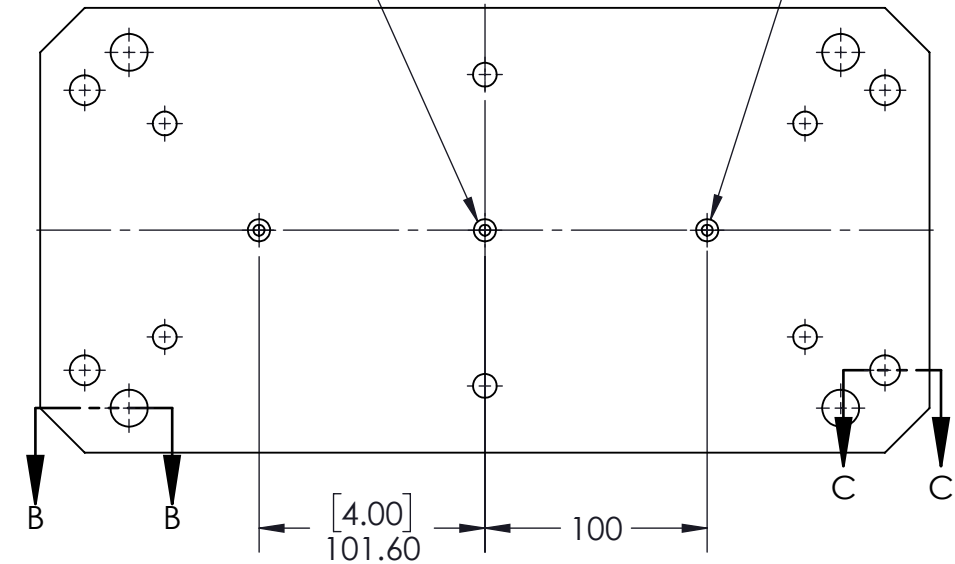


# RL96A-4816

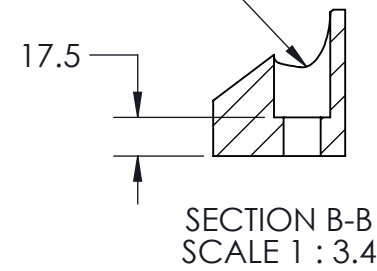


FITS LP10  
OR 5TH AXIS  
CENTERING SPUD

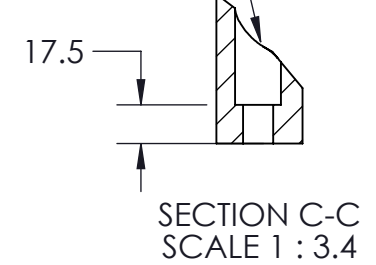
3X  $\varnothing$  10.025 H7  
FITS LP10



CBORE FOR M16 OR 5/8" SHCS



CBORE FOR M12 OR 1/2" SHCS



<b>MILLIMETER</b> <small>DRAWN IN ACCORDANCE WITH ASME Y14.5-2009</small> <b>PROPRIETARY AND CONFIDENTIAL</b> <small>THE INFORMATION CONTAINED IN THIS DRAWING IS THE SOLE PROPERTY OF FIFTH AXIS, INC. ANY REPRODUCTION IN PART OR AS A WHOLE WITHOUT THE WRITTEN PERMISSION OF FIFTH AXIS, INC. IS PROHIBITED.</small>	<b>TOLERANCES</b> <small>UNLESS OTHERWISE SPECIFIED</small> X ± 1.0 .X ± 0.3 ANGLULAR ± 0.5° .XX ± 0.13
	<small>THIRD ANGLE PROJECTION</small> 

	<small>WWW.FIFTHAXIS.COM</small> 7140 ENGINEER ROAD SAN DIEGO, CA 92111 P (858) 505-0432 F (858) 505-9344	
	<b>DESCRIPTION</b> ROCKLOCK™ 96MM MULTI POSITION RISER	
<b>SIZE</b> <b>B</b>	<b>PART NO.</b> RL96A-4816	<b>REV</b> <b>A</b>
<small>DO NOT SCALE DRAWING</small>		<small>SCALE 2:1</small>
<small>WEIGHT:</small>		<small>SHEET 1 OF 1</small>