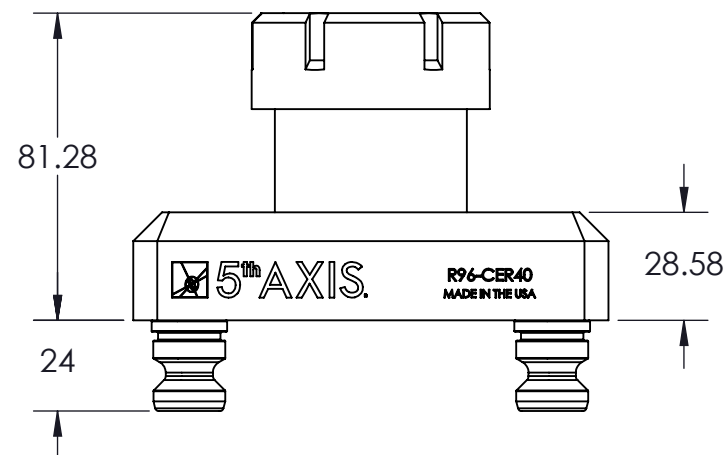
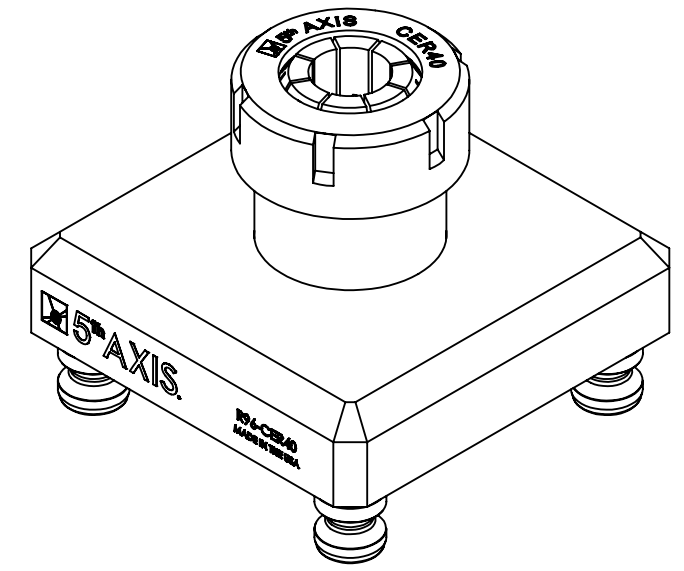
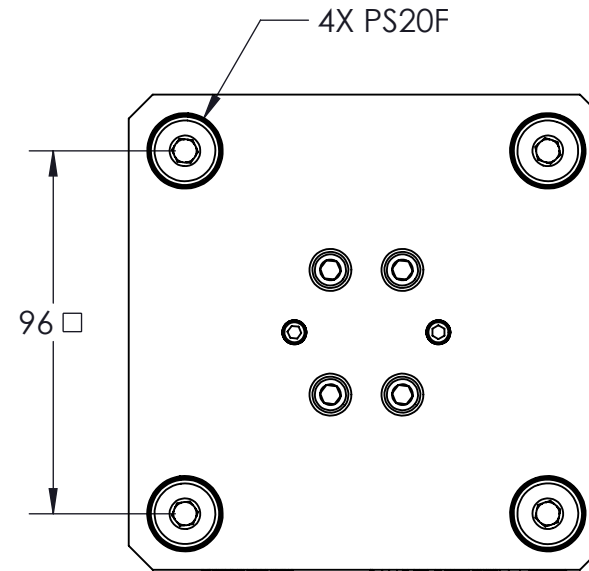
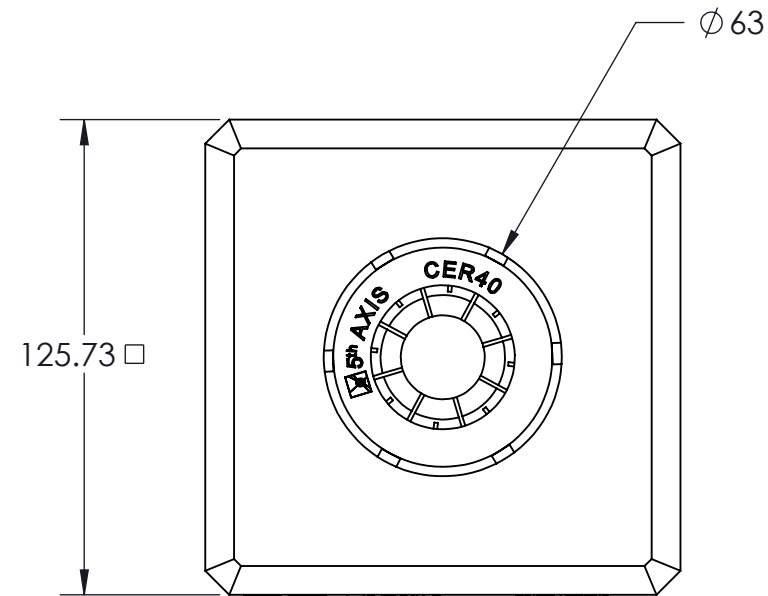




# R96-CER40



<b>MILLIMETER</b> DRAWN IN ACCORDANCE WITH ASME Y14.5-2009 <b>PROPRIETARY AND CONFIDENTIAL</b> THE INFORMATION CONTAINED IN THIS DRAWING IS THE SOLE PROPERTY OF FIFTH AXIS, INC. ANY REPRODUCTION IN PART OR AS A WHOLE WITHOUT THE WRITTEN PERMISSION OF FIFTH AXIS, INC. IS PROHIBITED.	<b>TOLERANCES</b> UNLESS OTHERWISE SPECIFIED X ± 1.0 .X ± 0.3 ANGLULAR ± 0.5° .XX ± 0.13	 <b>5th AXIS</b> WWW.FIFTHAXIS.COM 7140 ENGINEER ROAD SAN DIEGO, CA 92111 P (858) 505-0432 F (858) 505-9344		
	THRID ANGLE PROJCTION 		DESCRIPTION <b>ROCKLOCK 96MM CER40 TOP TOOLING</b>	
SIZE <b>B</b>	PART NO. <b>R96-CER40</b>	REV <b>A</b>		
DO NOT SCALE DRAWING		SCALE 1:2	WEIGHT:	SHEET 1 OF 1