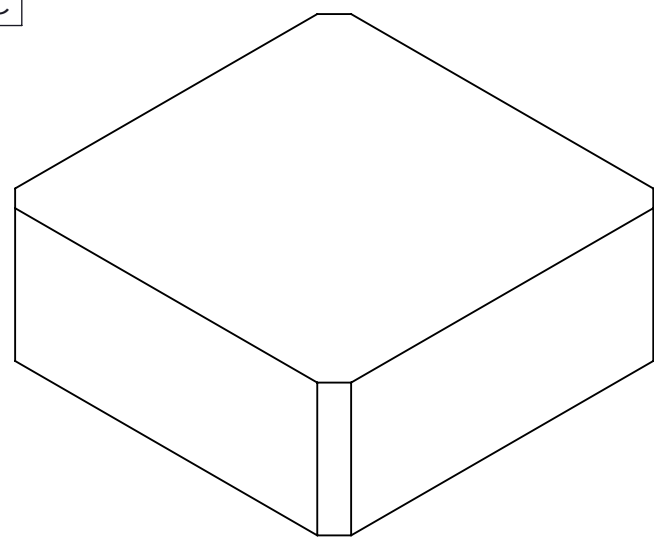
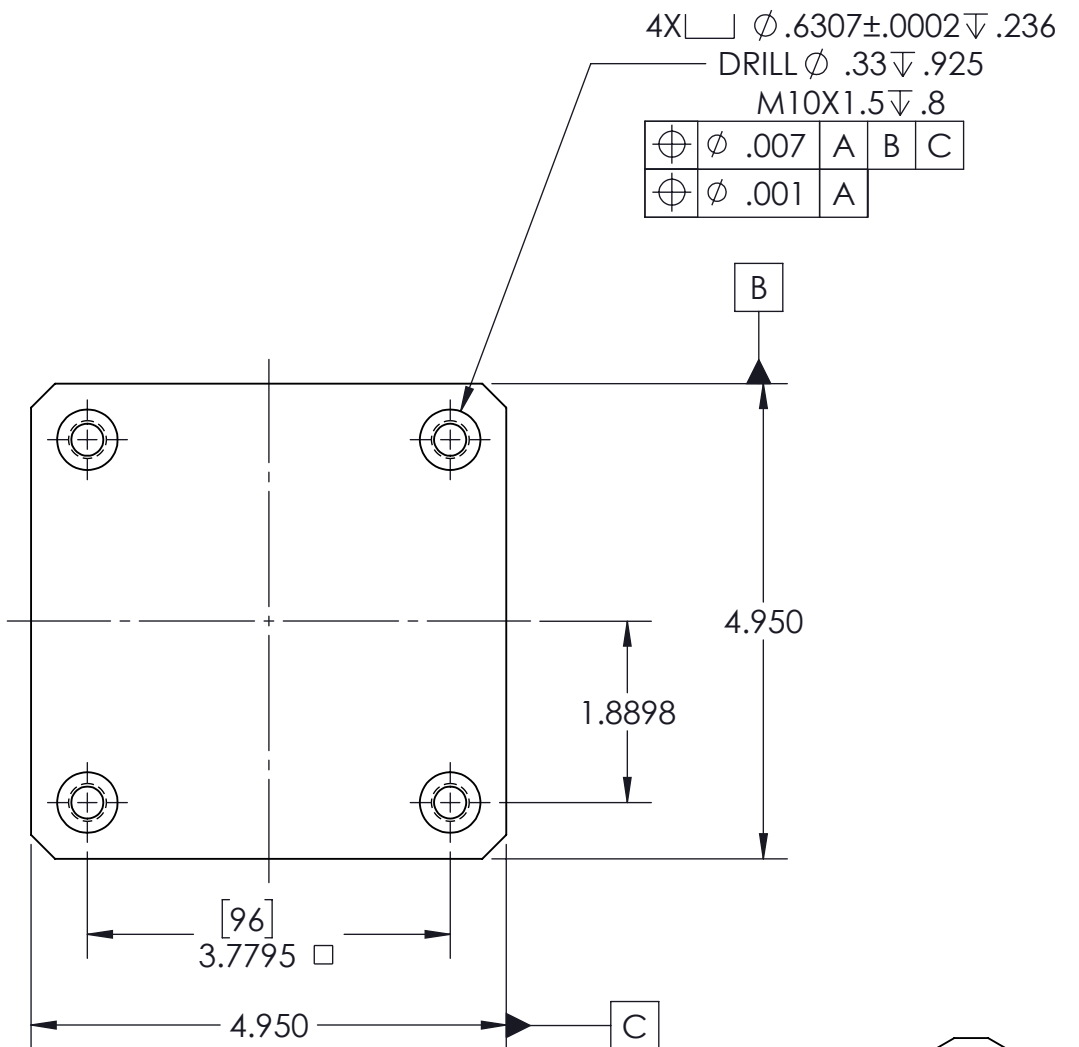
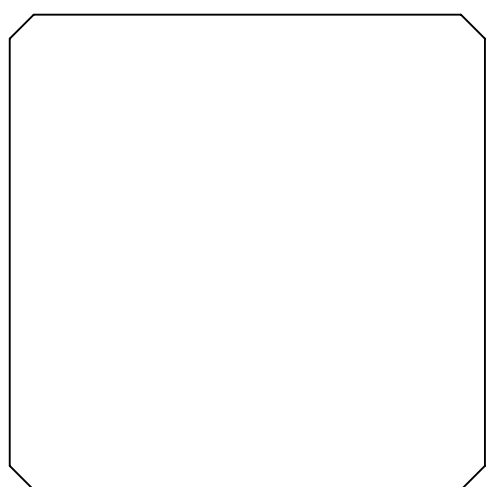


8 7 6 5 4 3 2 1

R96-B



INCH DRAWN IN ACCORDANCE WITH ASME Y14.5-2009 PROPRIETARY AND CONFIDENTIAL	TOLERANCES UNLESS OTHERWISE SPECIFIED X ± 0.1 .XX ± 0.01 .X ± 0.05 .XXX ± 0.005 ANGULAR ± 0.5°	WWW.FIFTHAXIS.COM 7140 ENGINEER ROAD SAN DIEGO, CA 92111 P (858) 505-0432 F (858) 505-9344
	THE INFORMATION CONTAINED IN THIS DRAWING IS THE SOLE PROPERTY OF FIFTH AXIS, INC. ANY REPRODUCTION IN PART OR AS A WHOLE WITHOUT THE WRITTEN PERMISSION OF FIFTH AXIS, INC. IS PROHIBITED.	
DESCRIPTION 96MM ROCKLOCK BLANK		SIZE PART NO. B R96-B
DO NOT SCALE DRAWING		SCALE 1:2 WEIGHT: 4.58 SHEET 1 OF 1

8 7 6 5 4 3 2 1