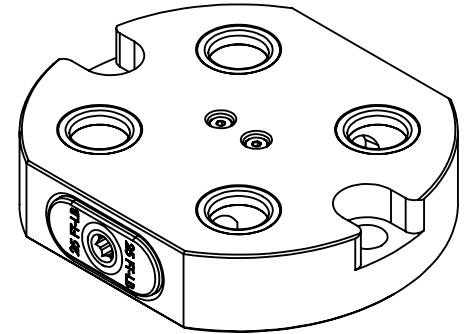


8 7 6 5 4 3 2 1

MATERIAL
 RL52A-4-96: 6061 ALUMINUM BODY
 RL52S-4-96: 1018 STEEL BODY

RL52A-4-96

RL52S-4-96



D

D

C

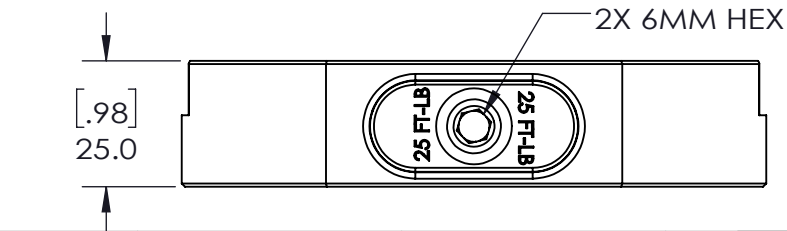
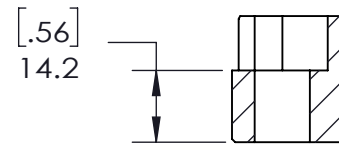
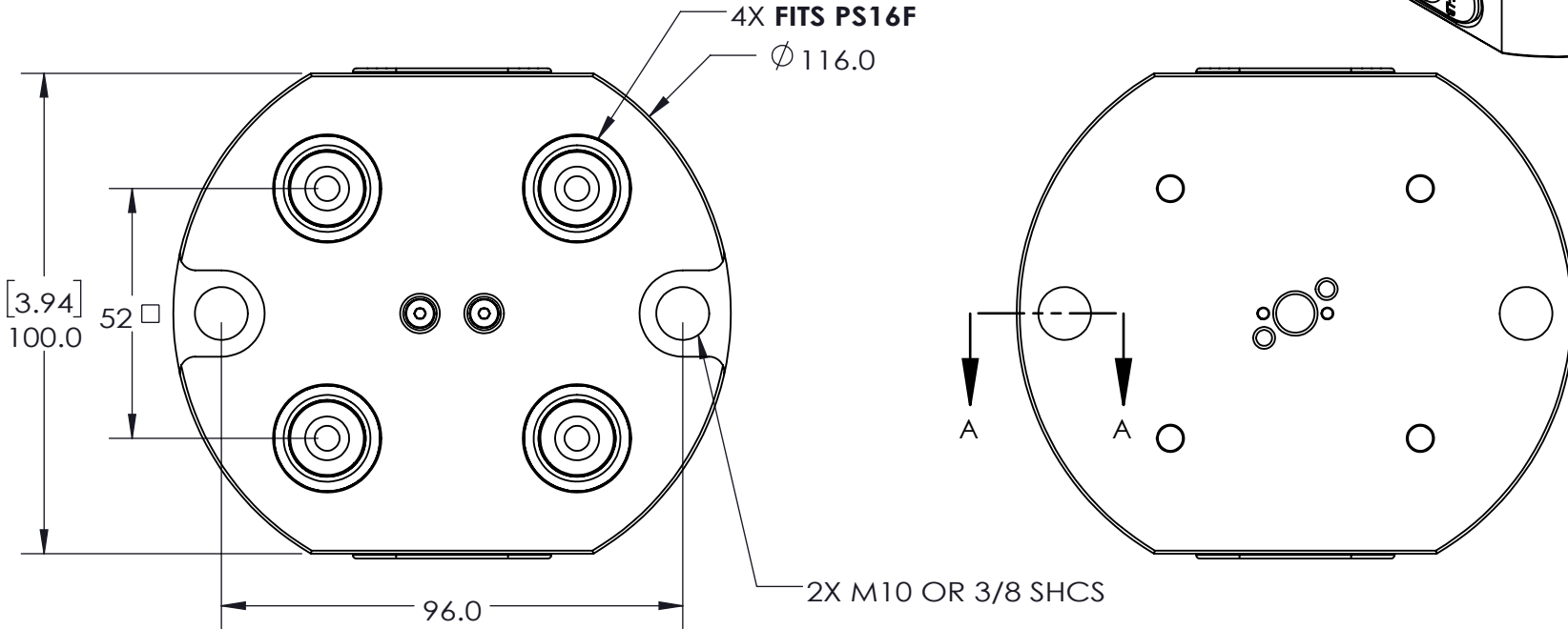
C

B

B

A

A



SECTION A-A
 SCALE 1 : 1.5

MILLIMETER TOLERANCES <small>UNLESS OTHERWISE SPECIFIED</small> DRAWN IN ACCORDANCE WITH ASME Y14.5-2009 PROPRIETARY AND CONFIDENTIAL	X ± 0.1 .XX ± 0.01 X ± 0.05 .XXX ± 0.005 ANGULAR ± 0.5°
	THIRD ANGLE PROJECTION
<small>THE INFORMATION CONTAINED IN THIS DRAWING IS THE SOLE PROPERTY OF FIFTH AXIS, INC. ANY REPRODUCTION IN PART OR AS A WHOLE WITHOUT THE WRITTEN PERMISSION OF FIFTH AXIS, INC. IS PROHIBITED.</small>	

	<small>WWW.5THAXIS.COM</small> <small>7140 ENGINEER ROAD</small> <small>SAN DIEGO, CA 92111</small> <small>P (858) 505-0432 F (858) 505-9344</small>
	DESCRIPTION ROCKLOCK 52MM LOW PROFILE BASE
SIZE A	PART NO. RL52A-4-96 & RL52S-4-96
<small>DO NOT SCALE DRAWING.</small>	<small>SCALE 1:1 WEIGHT: 2LBS & 4LBS SHEET 1 OF 1</small>

8 7 6 5 4 3 2 1