

8

7

6

5

4

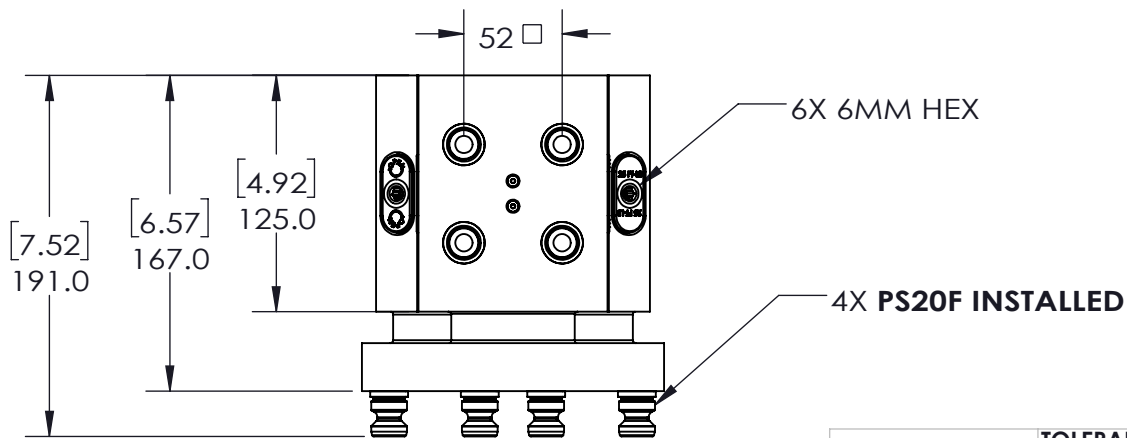
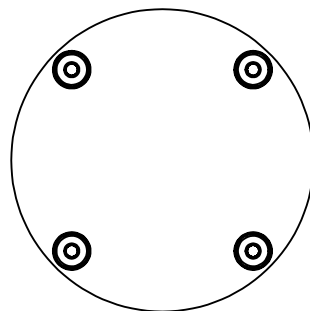
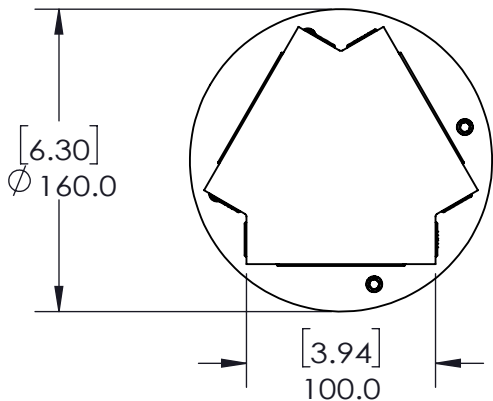
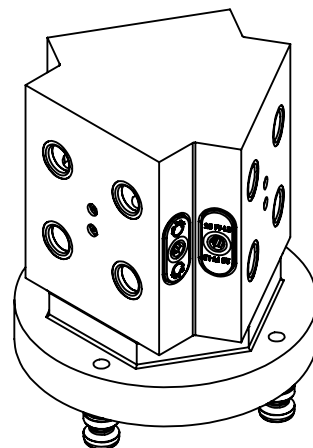
3

2

1

MATERIAL
RL52A-T31: 6061 ALUMINUM BODY

RL52A-T31



MILLIMETER TOLERANCES

UNLESS OTHERWISE SPECIFIED
DRAWN IN ACCORDANCE WITH
ASME Y14.5-2009

PROPRIETARY AND CONFIDENTIAL
THIRD ANGLE PROJECTION

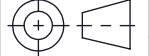
THE INFORMATION CONTAINED IN THIS DRAWING IS THE SOLE PROPERTY OF FIFTH AXIS, INC. ANY REPRODUCTION IN PART OR AS A WHOLE WITHOUT THE WRITTEN PERMISSION OF FIFTH AXIS, INC. IS PROHIBITED.

X ± 0.1 .XX ± 0.01

X ± 0.05 .XXX ± 0.005

ANGULAR ± 0.5°

THIRD ANGLE PROJECTION



WWW.5THAXIS.COM
7140 ENGINEER ROAD
SAN DIEGO, CA 92111

P (858) 505-0432 F (858) 505-9344

DESCRIPTION
ROCKLOCK 52MM 3-SIDED TOMBSTONE

SIZE **A** PART NO. RL52A-T31

DO NOT SCALE DRAWING. SCALE 1:1. WEIGHT: 1.4 LBS. SHEET 1 OF 1

8

7

6

5

4

3

2

1

D

D

C

C

B

B

A

A