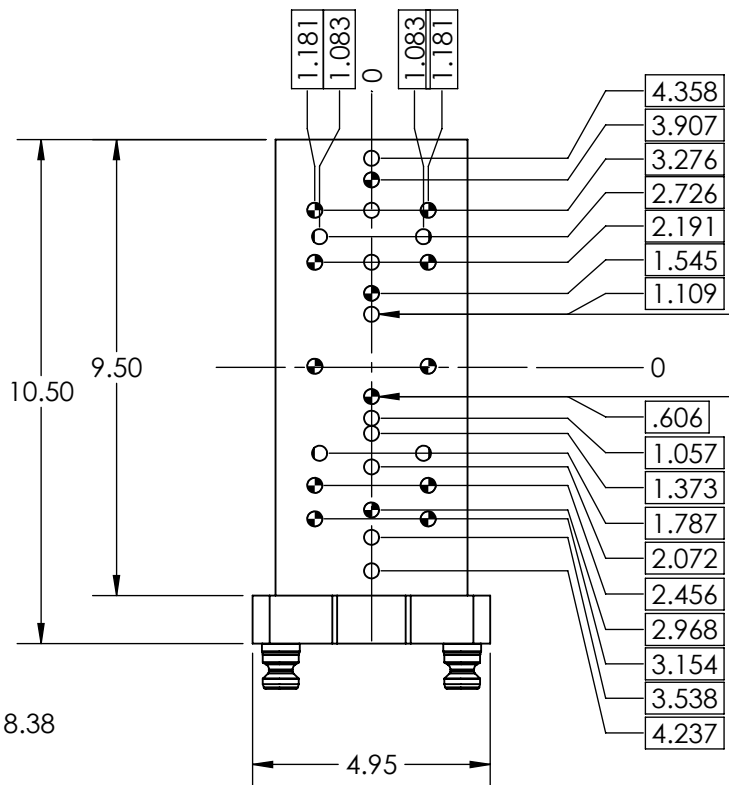
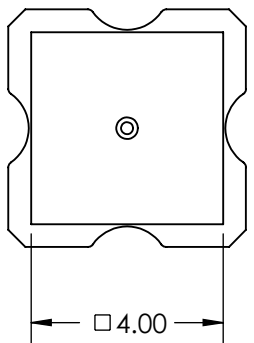
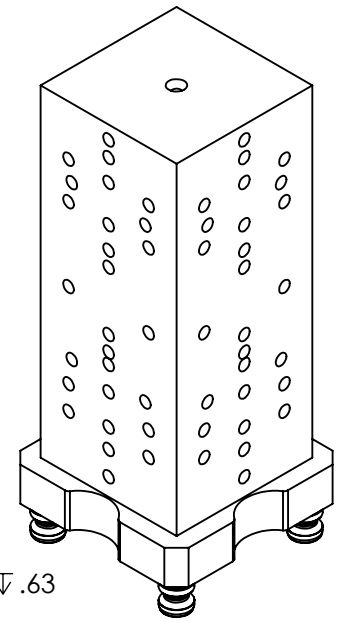


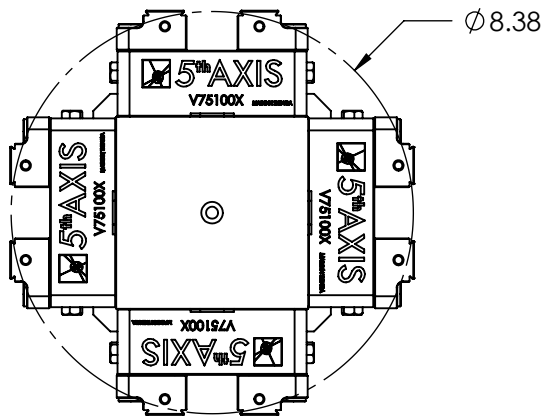
8 7 6 5 4 3 2 1

MATERIAL: 6061 ALUMINUM ANODIZED

R96-V75100T4



13X M8X1.25 ∇ .63
 14X \varnothing .3159 \pm .0003 ∇ .45
 FITS LP8



INCH <small>DRAWN IN ACCORDANCE WITH ASME Y14.5-2009</small> PROPRIETARY AND CONFIDENTIAL <small>THE INFORMATION CONTAINED IN THIS DRAWING IS THE SOLE PROPERTY OF FIFTH AXIS, INC. ANY REPRODUCTION IN PART OR AS A WHOLE WITHOUT THE WRITTEN PERMISSION OF FIFTH AXIS, INC. IS PROHIBITED.</small>	TOLERANCES <small>UNLESS OTHERWISE SPECIFIED</small> X \pm 0.1 .XX \pm 0.01 X \pm 0.05 .XXX \pm 0.005 ANGULAR \pm 0.5° THIRD ANGLE PROJECTION	APPROVALS DRAWN BY: Y. RHEE 09/12/2019 MANUFACTURING QUALITY FINAL	WWW.5THAXIS.COM 7140 ENGINEER ROAD SAN DIEGO, CA 92111 P (858) 505-0432 F (858) 505-9344
	DESCRIPTION ROCKLOCK 96MM TOMBSTONE, 4 SIDED, V75100X	SIZE: A PART NO.: R96-V75100T4 REV: A	
	DO NOT SCALE DRAWING SCALE 1:4 WEIGHT: 16.5 LBS SHEET 1 OF 2		

8 7 6 5 4 3 2 1

