

8

7

6

5

4

3

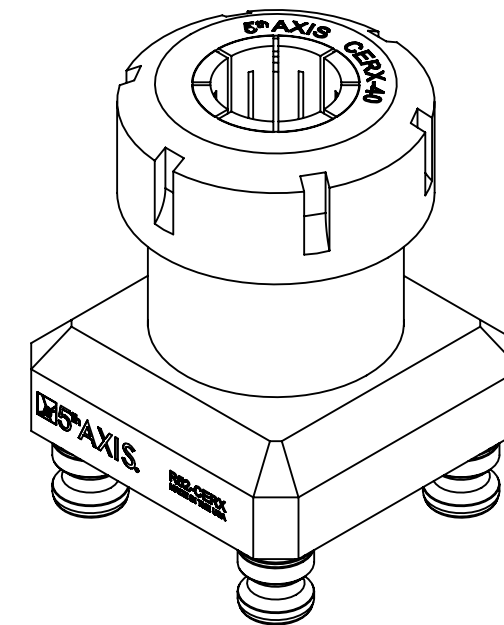
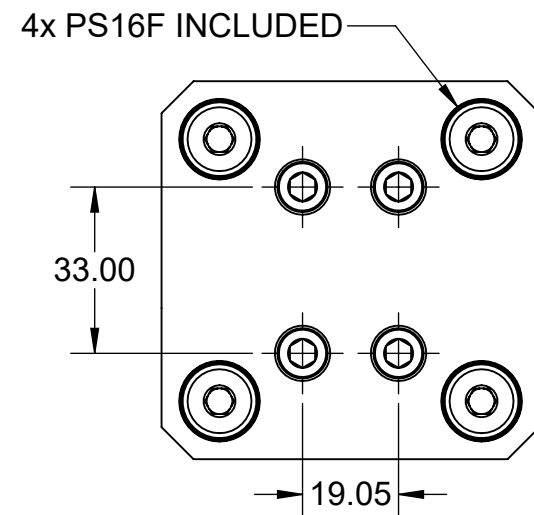
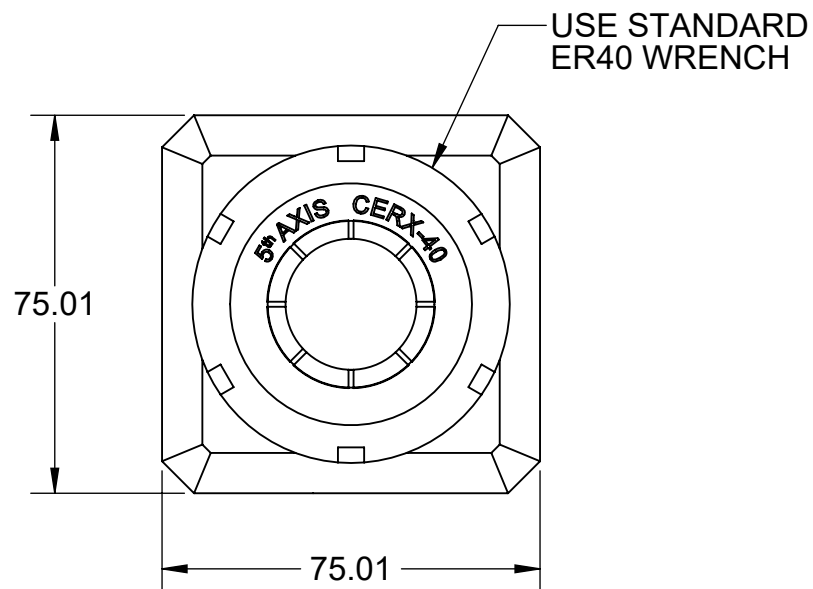
2

1

D

D

# R52-CERX-40

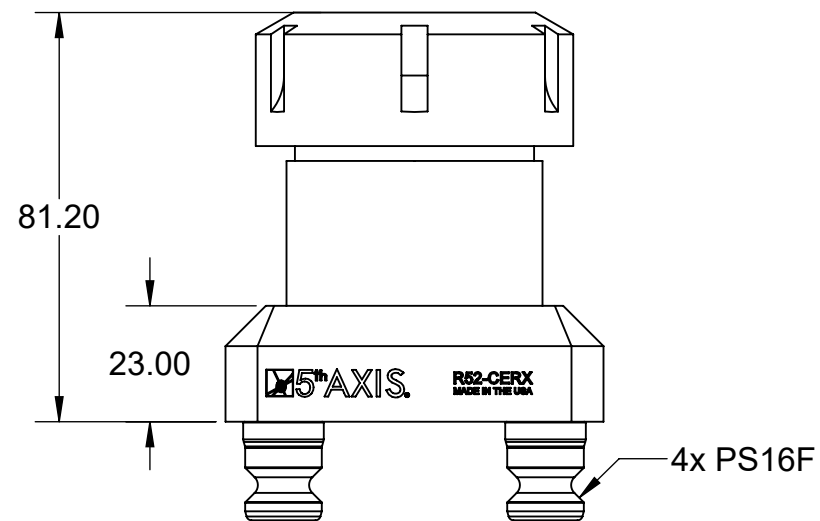


C

C


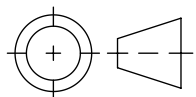
B

B



A

A

<b>MILLIMETER</b>		<b>TOLERANCES</b> UNLESS OTHERWISE SPECIFIED			
DRAWN IN ACCORDANCE WITH ASME Y14.5-2009		x ± 0.1    .xx ± 0.01 .x ± 0.05    .xxx ± 0.005 ANGULAR ± 0.5°			
WWW.5THAXIS.COM		THIRD ANGLE PROJECTION		DESCRIPTION <b>ROUND BAR FIXTURE TOP TOOLING</b>	
7140 ENGINEER ROAD SAN DIEGO, CA 92111				SIZE <b>B</b>	PART NO. <b>R52-CERX-40</b>
P (858) 505-0432 F (858) 505-9344				DO NOT SCALE DRAWING	SCALE 2:3
				WEIGHT:	SHEET 1 OF 2
				REV <b>A</b>	

8

7

6

5

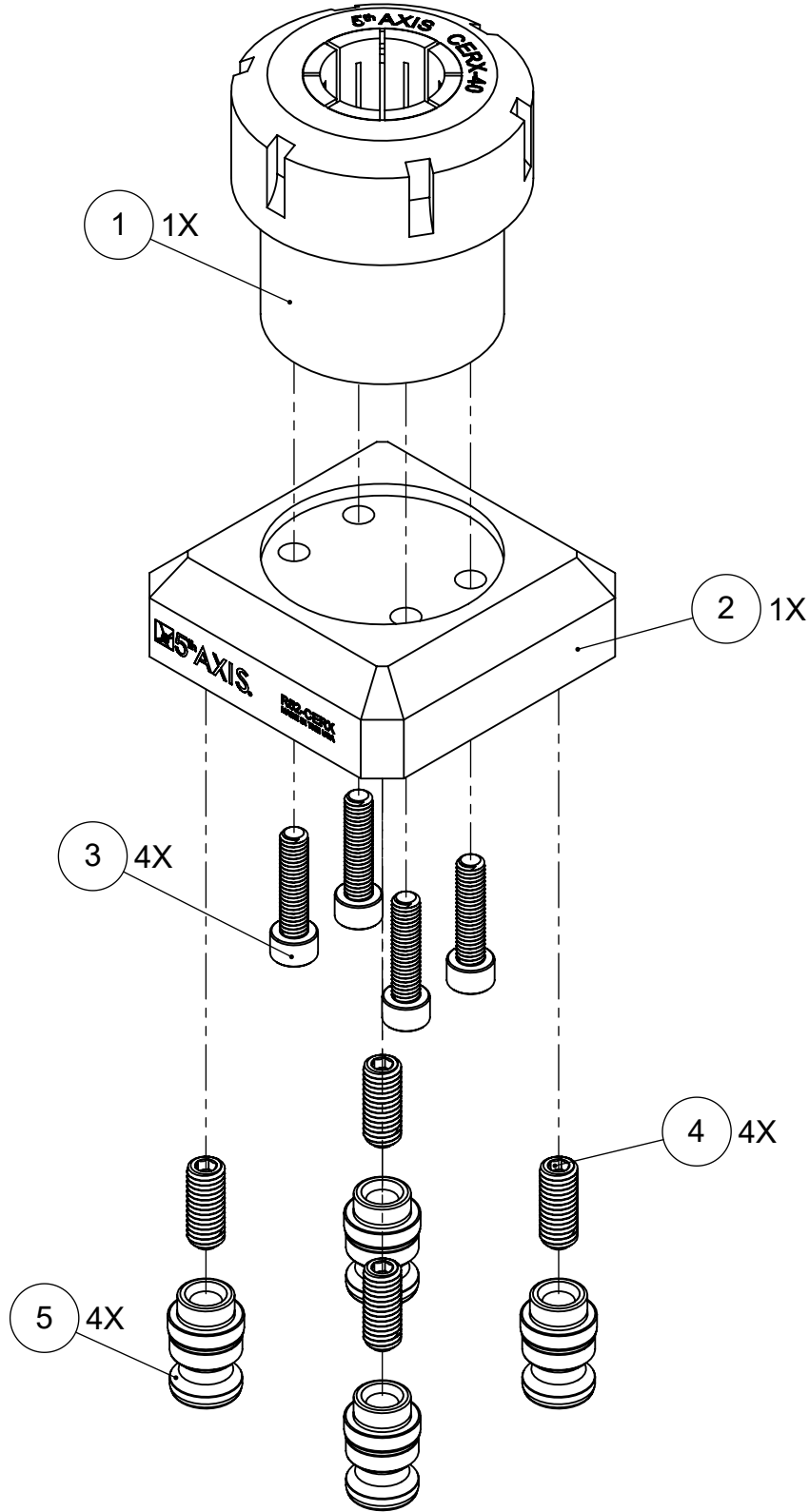
4

3

2

1

# R52-CERX-40



ITEM NO.	PART NUMBER	DESCRIPTION	QTY.
1	CERX-40	ROUND BAR FIXTURE	1
2	R52-CERX	ADAPTER	1
3	91290A330	M6-1mm x 25mm SHCS	4
4	91390A145	SET SCREW	4
5	PS16F-1	PULL STUD BODY	4
FOR REFERENCE ONLY - NOT FOR RESALE			

<b>MILLIMETER</b> <small>DRAWN IN ACCORDANCE WITH ASME Y14.5-2009</small>  <small>WWW.5THAXIS.COM</small>  <small>7140 ENGINEER ROAD SAN DIEGO, CA 92111</small>  <small>P (858) 505-0432 F (858) 505-9344</small>	<b>TOLERANCES</b> <small>UNLESS OTHERWISE SPECIFIED</small> x ± 0.1    .xx ± 0.01 .x ± 0.05    .xxx ± 0.005 ANGULAR ± 0.5° <small>THIRD ANGLE PROJECTION</small>		
		<b>DESCRIPTION</b> <b>ROUND BAR FIXTURE TOP TOOLING</b>	
<b>SIZE</b> <b>B</b>		<b>PART NO.</b> <b>R52-CERX-40</b>	
<small>DO NOT SCALE DRAWING</small>		<small>SCALE 2:3</small>	<small>WEIGHT:</small>
			<small>SHEET 2 OF 2</small>



**ROUND BAR FIXTURE TOP TOOLING**

**SIZE B**    **PART NO. R52-CERX-40**    **REV A**

DO NOT SCALE DRAWING    SCALE 2:3    WEIGHT:    SHEET 2 OF 2