

8

7

6

5

4

3

2

1

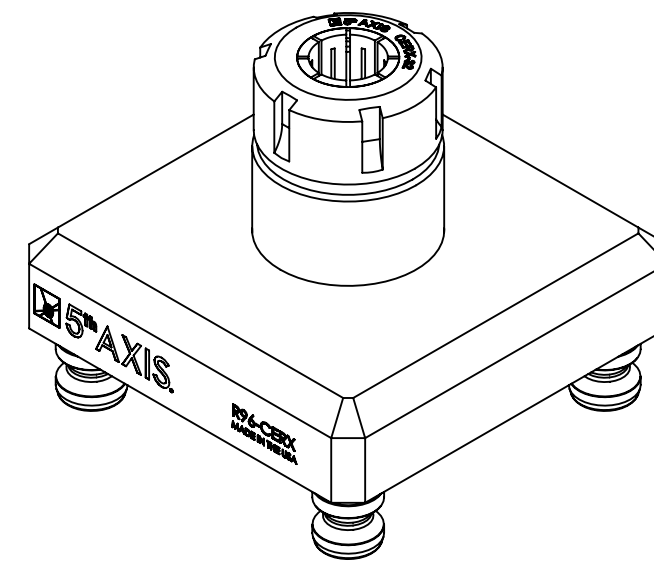
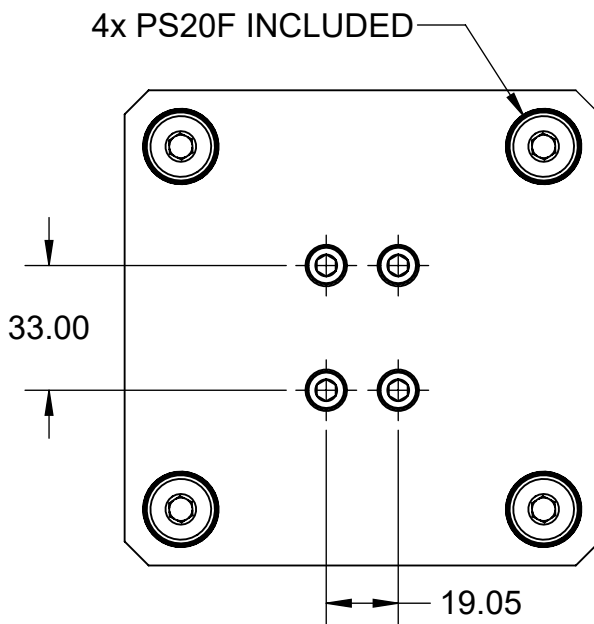
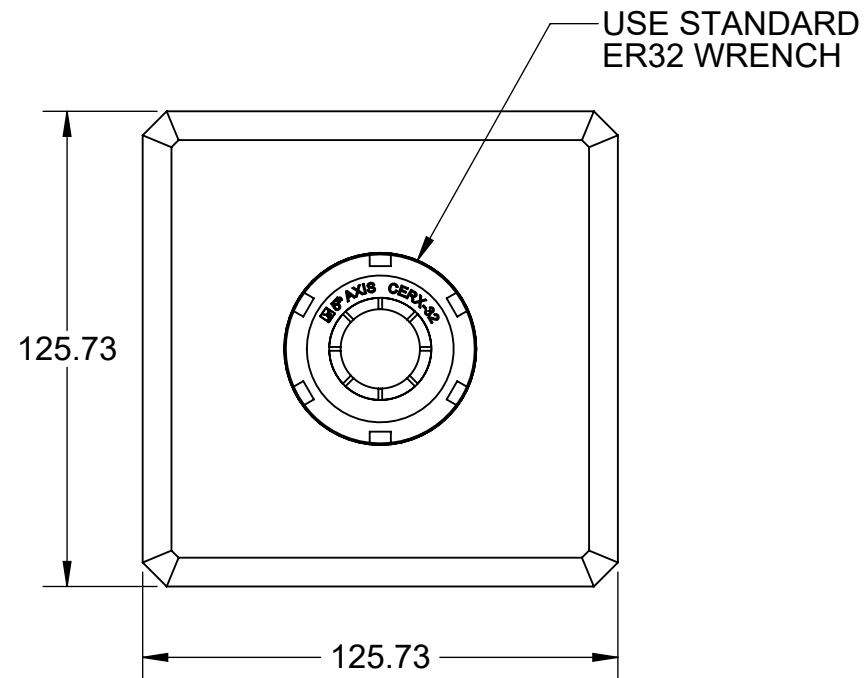
D

D

R96-CERX-32

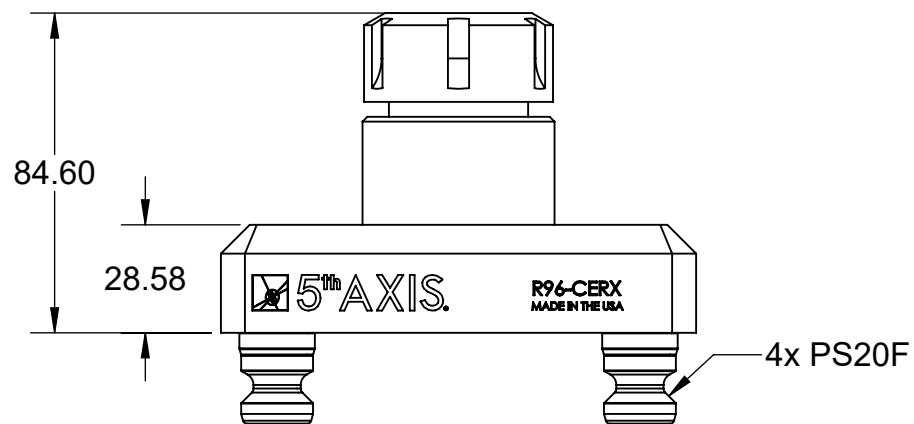
C

C




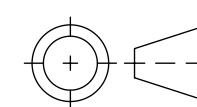
B

B



A

A

MILLIMETER		TOLERANCES UNLESS OTHERWISE SPECIFIED		 5th AXIS[®]	
DRAWN IN ACCORDANCE WITH ASME Y14.5-2009		x ± 0.1 .xx ± 0.01 .x ± 0.05 .xxx ± 0.005 ANGULAR ± 0.5° THIRD ANGLE PROJECTION			
WWW.5THAXIS.COM		7140 ENGINEER ROAD SAN DIEGO, CA 92111		DESCRIPTION ROUND BAR FIXTURE TOP TOOLING	
P (858) 505-0432 F (858) 505-9344				SIZE B	PART NO. R96-CERX-32
				DO NOT SCALE DRAWING	SCALE 1:2
				WEIGHT:	SHEET 1 OF 2
				REV A	

8

7

6

5

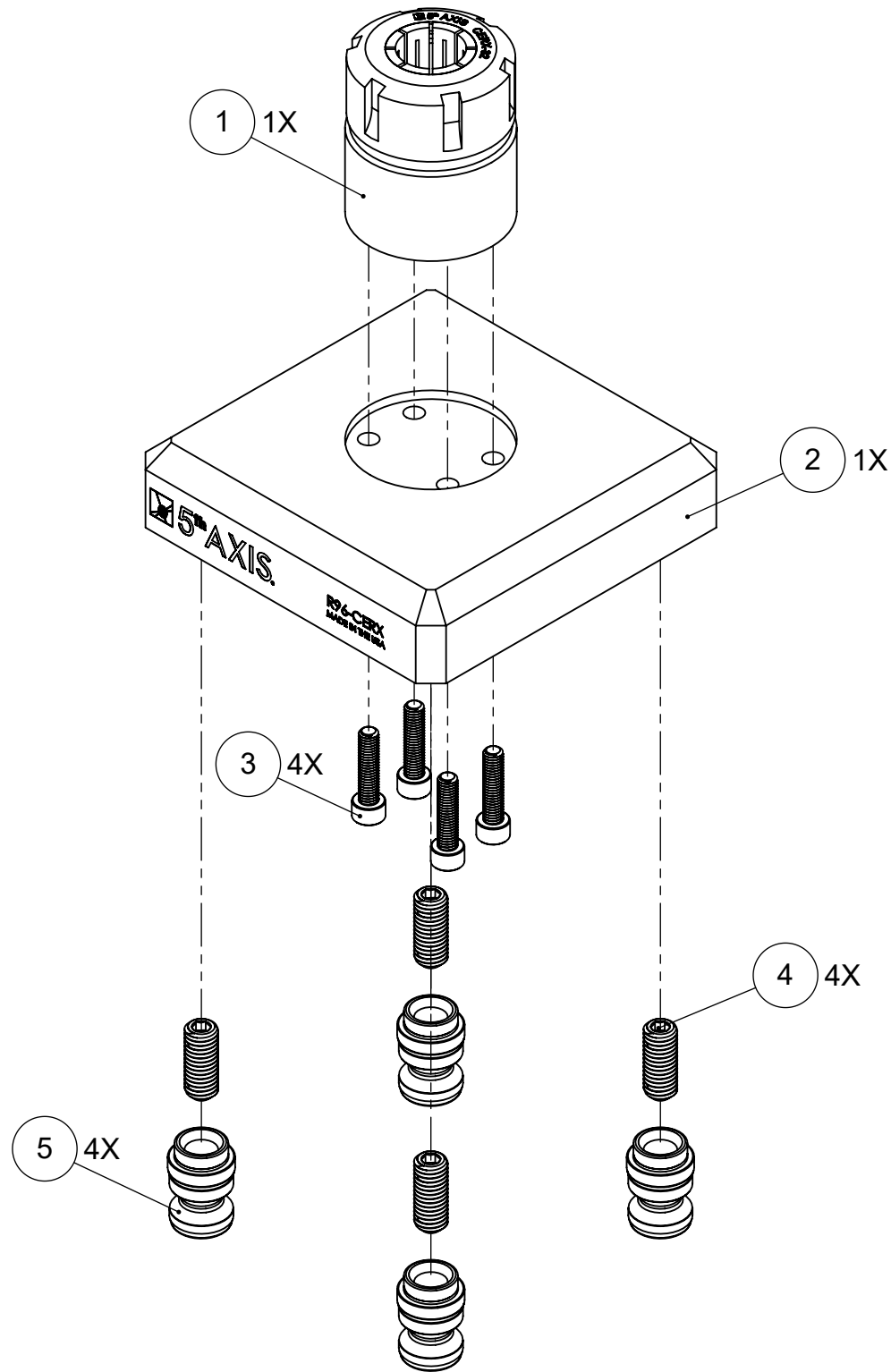
4

3


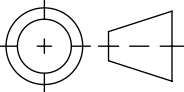
2

1

R96-CERX-32



ITEM NO.	PART NUMBER	DESCRIPTION	QTY.
1	CERX-32	ROUND BAR FIXTURE	1
2	R96-CERX	ADAPTER	1
3	91290A330	M6-1mm x 25mm SHCS	4
4	92015A162	SET SCREW	4
5	PS20F-1	PULL STUD BODY	4
FOR REFERENCE ONLY - NOT FOR RESALE			

MILLIMETER <small>DRAWN IN ACCORDANCE WITH ASME Y14.5-2009</small>	TOLERANCES <small>UNLESS OTHERWISE SPECIFIED</small> x ± 0.1 .xx ± 0.01 .x ± 0.05 .xxx ± 0.005 ANGULAR ± 0.5° <small>THIRD ANGLE PROJECTION</small>			
		DESCRIPTION ROUND BAR FIXTURE TOP TOOLING		
WWW.5THAXIS.COM 7140 ENGINEER ROAD SAN DIEGO, CA 92111 P (858) 505-0432 F (858) 505-9344		SIZE B	PART NO. R96-CERX-32	REV A
DO NOT SCALE DRAWING		SCALE 1:2	WEIGHT:	SHEET 2 OF 2