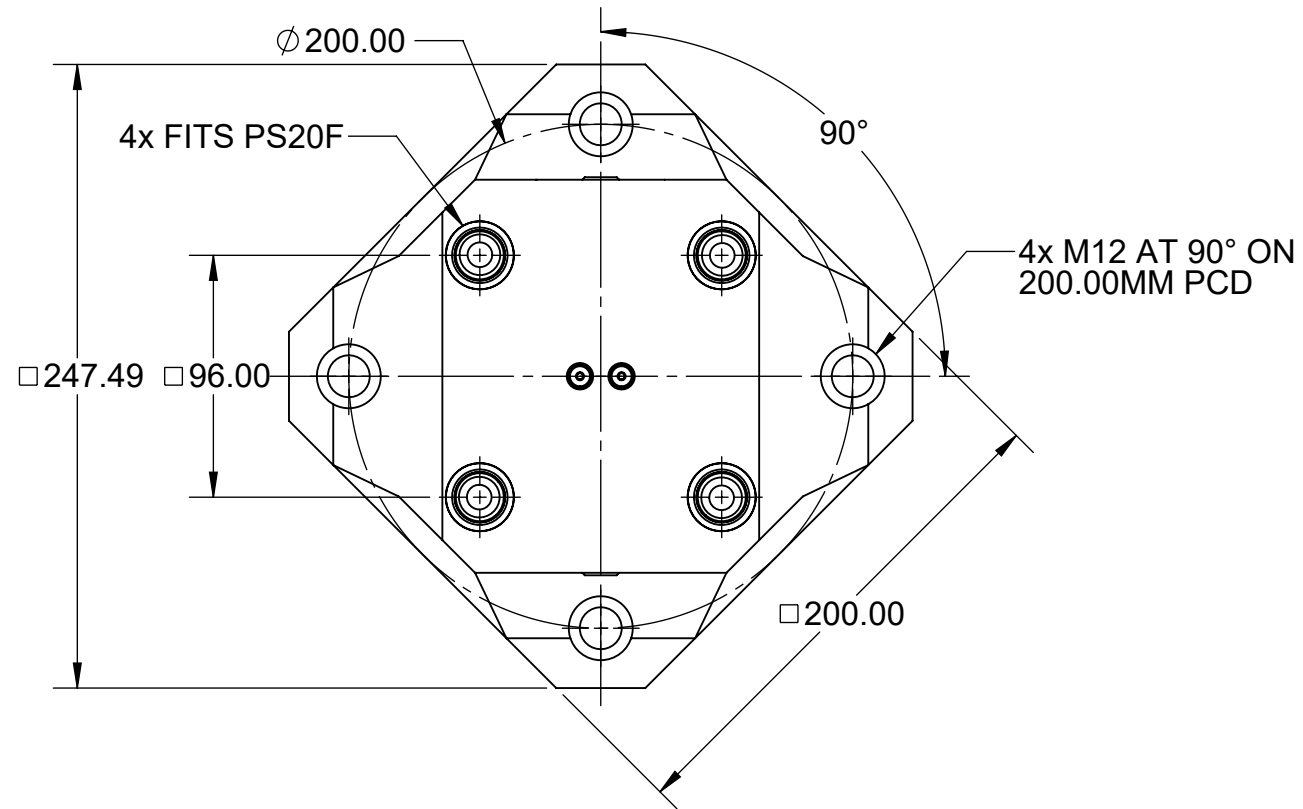
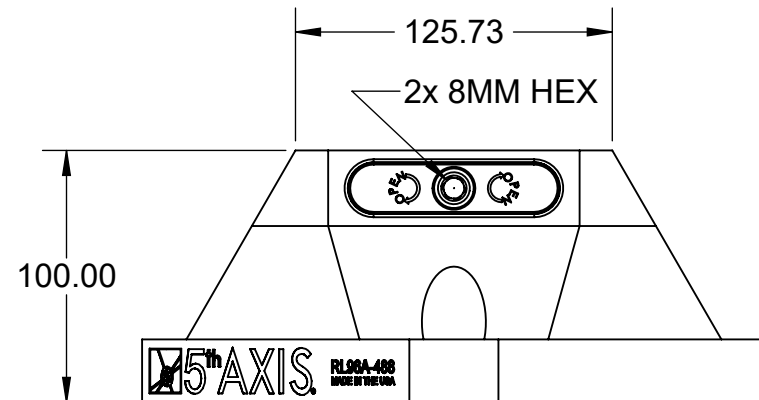
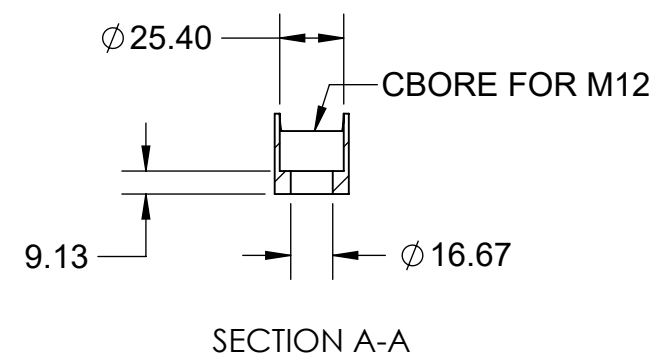
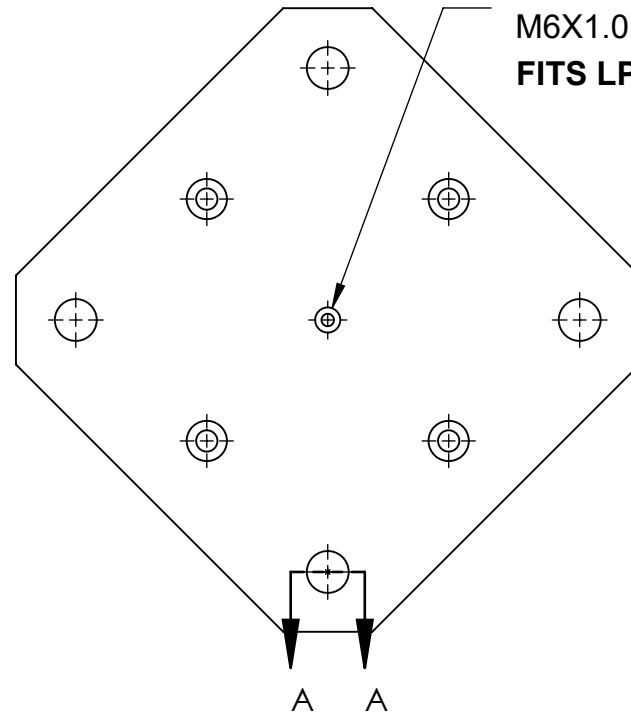
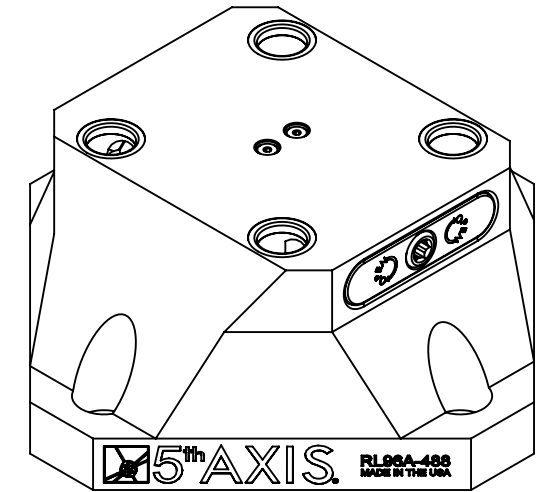



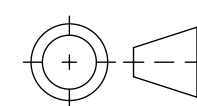
RL96A-488

MATERIAL:
RL96A-488: 6061 ALUMINUM BODY



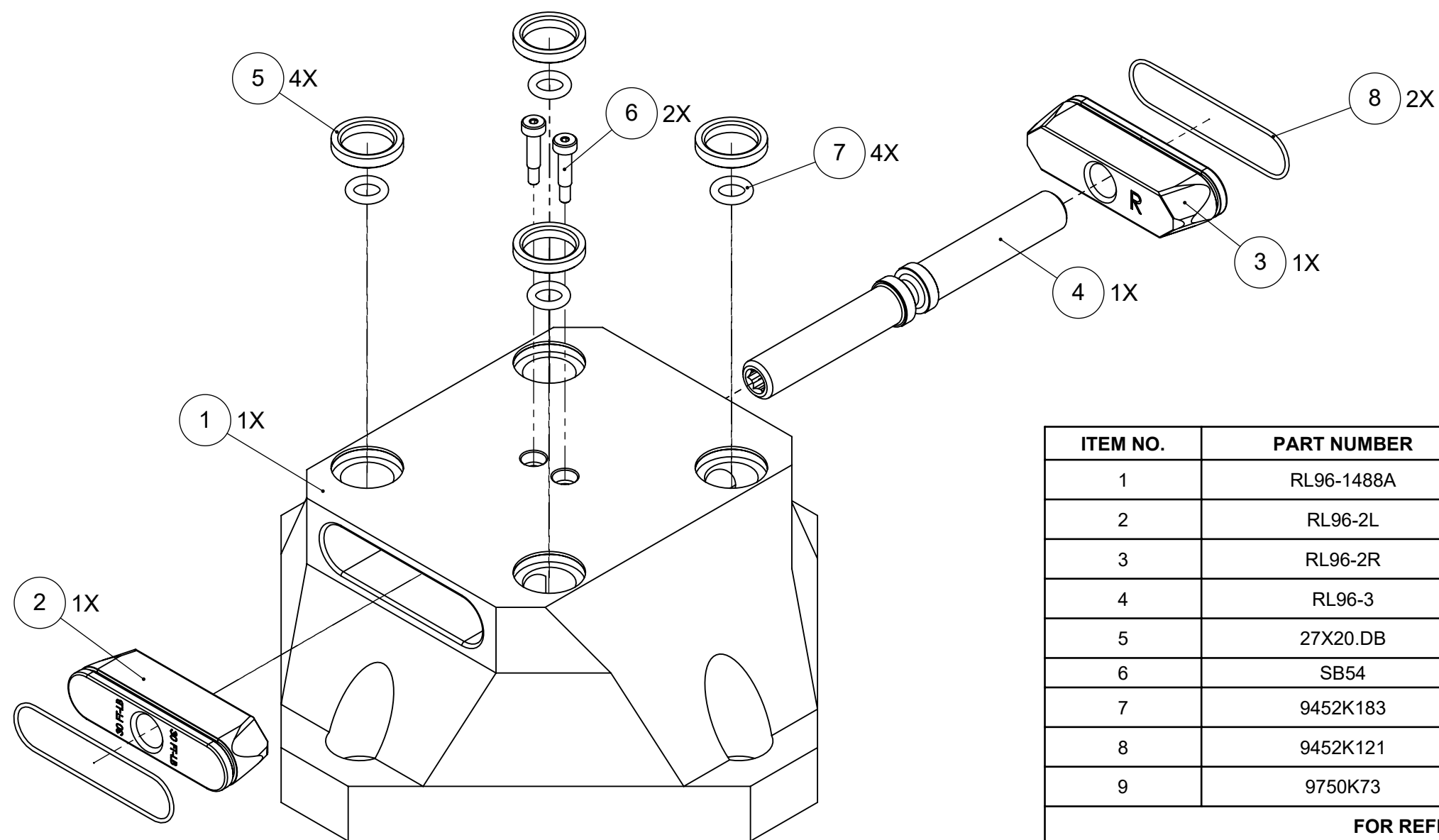
$\phi 10.025^{+0.013}_{0.000} \nabla 8.50$
M6X1.0 $\nabla 15.0$
FITS LP10



MILLIMETER		TOLERANCES UNLESS OTHERWISE SPECIFIED		 ROCKLOCK™ 96MM RISER	
DRAWN IN ACCORDANCE WITH ASME Y14.5-2009		x ± 0.1 .xx ± 0.01 .x ± 0.05 .xxx ± 0.005 ANGULAR ± 0.5° THIRD ANGLE PROJECTION			
WWW.5THAXIS.COM				DESCRIPTION	
7140 ENGINEER ROAD SAN DIEGO, CA 92111				SIZE	
P (858) 505-0432 F (858) 505-9344				REV	
		DO NOT SCALE DRAWING		SCALE 1:3	
		WEIGHT:		SHEET 1 OF 2	

MATERIAL:
RL96A-488: 6061 ALUMINUM BODY

RL96A-488



ITEM NO.	PART NUMBER	DESCRIPTION	QTY.
1	RL96-1488A	ROCKLOCK™ BASE	1
2	RL96-2L	LEFT ROCKLOCK™ TRUCK	1
3	RL96-2R	RIGHT ROCKLOCK™ TRUCK	1
4	RL96-3	ROCKLOCK™ LEAD SCREW	1
5	27X20.DB	PRECISION BUSHING	4
6	SB54	SHOULDER BOLT	2
7	9452K183	BASE O-RING	4
8	9452K121	TRUCK O-RING	2
9	9750K73	PLASTIC PLUG (NOT SHOWN)	4

FOR REFERENCE ONLY - NOT FOR RESALE

MILLIMETER

DRAWN IN ACCORDANCE WITH
 ASME Y14.5-2009

WWW.5THAXIS.COM

7140 ENGINEER ROAD
 SAN DIEGO, CA 92111

P (858) 505-0432
 F (858) 505-9344

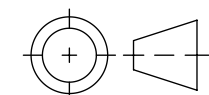
TOLERANCES

UNLESS OTHERWISE SPECIFIED

x ± 0.1 .xx ± 0.01
 .x ± 0.05 .xxx ± 0.005

ANGULAR ± 0.5°

THIRD ANGLE PROJECTION



DESCRIPTION

ROCKLOCK™ 96MM RISER

SIZE

B

PART NO.

RL96A-488

REV

A

DO NOT SCALE DRAWING

SCALE 1:2

WEIGHT:

SHEET 2 OF 2