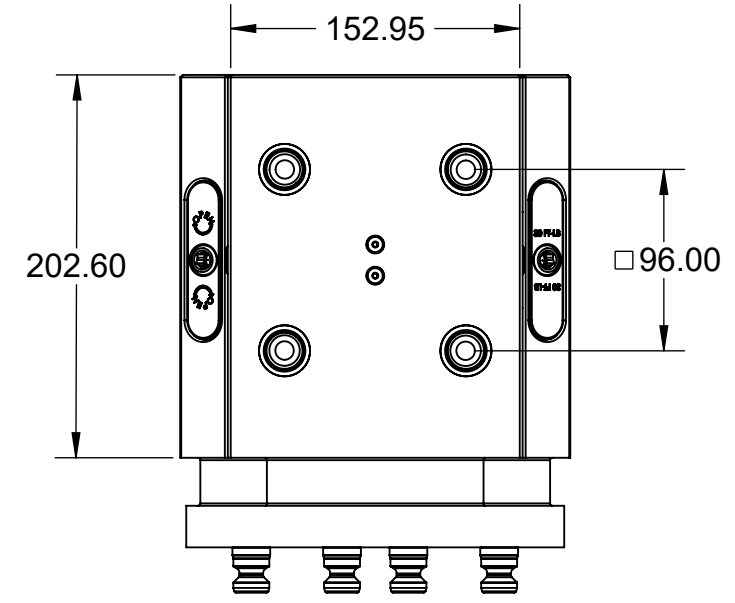
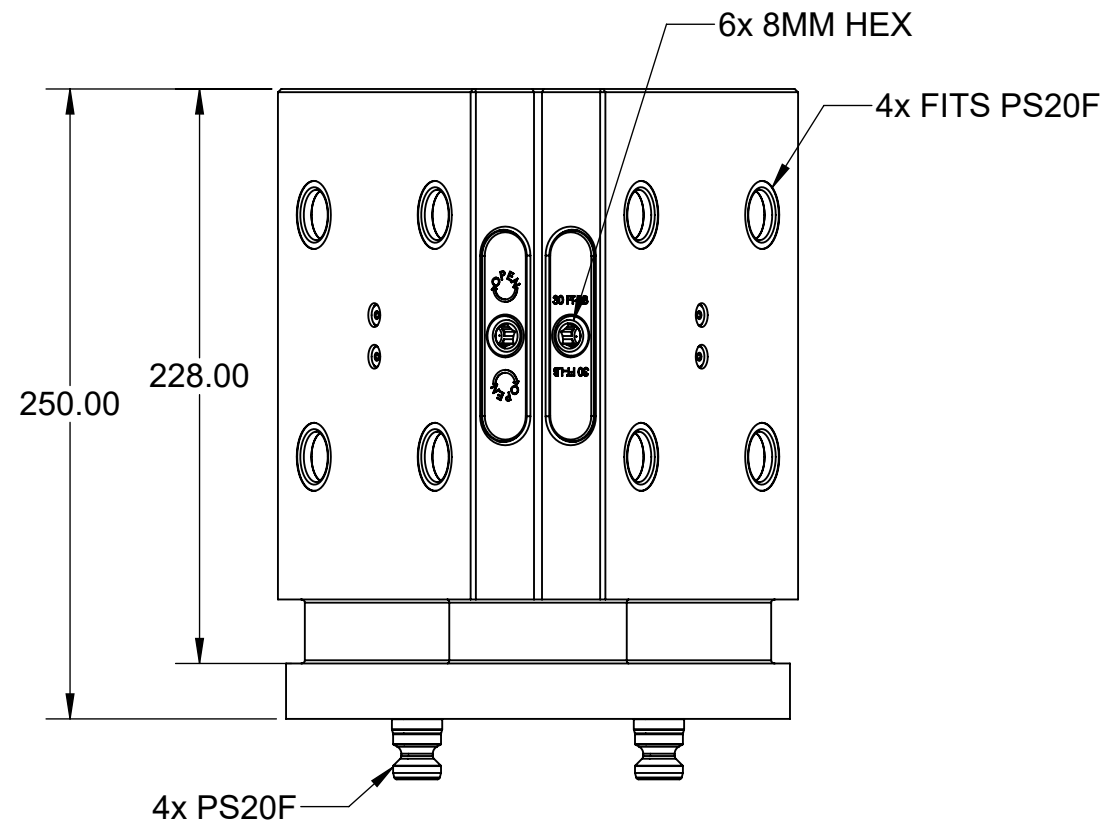
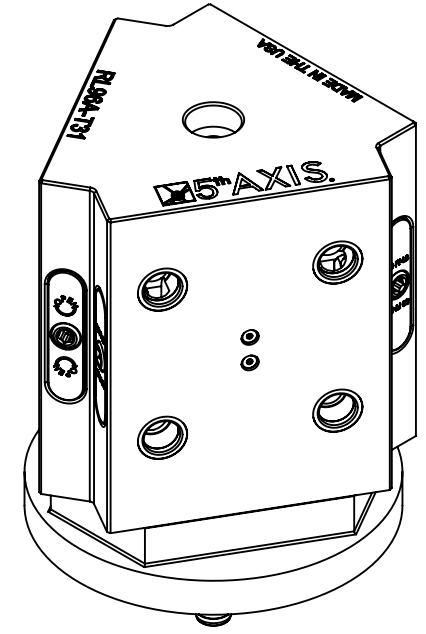
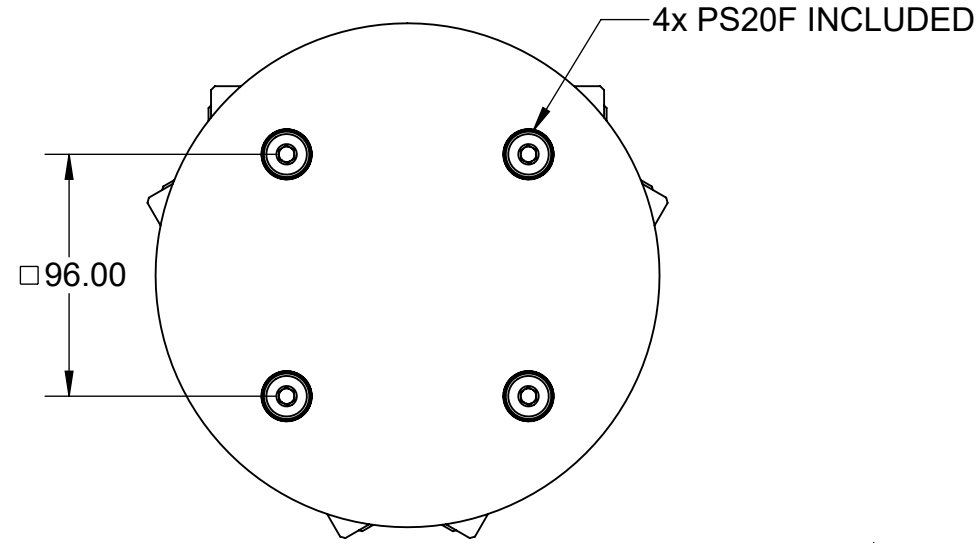
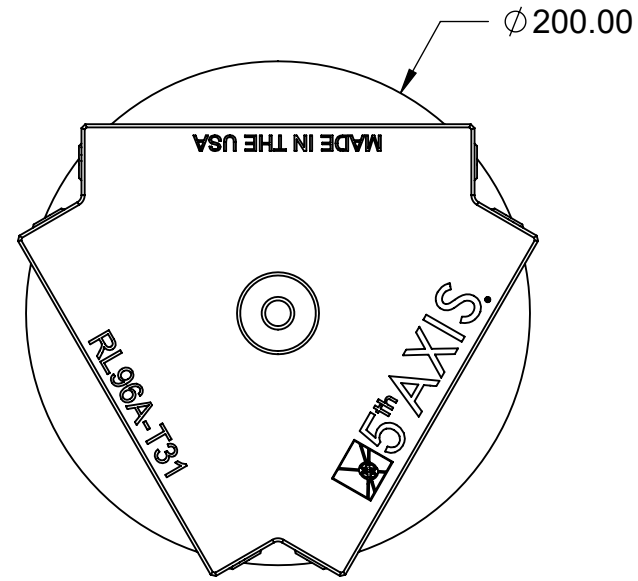


MATERIAL:
RL96A-T31: 6061 ALUMINUM BODY

RL96A-T31

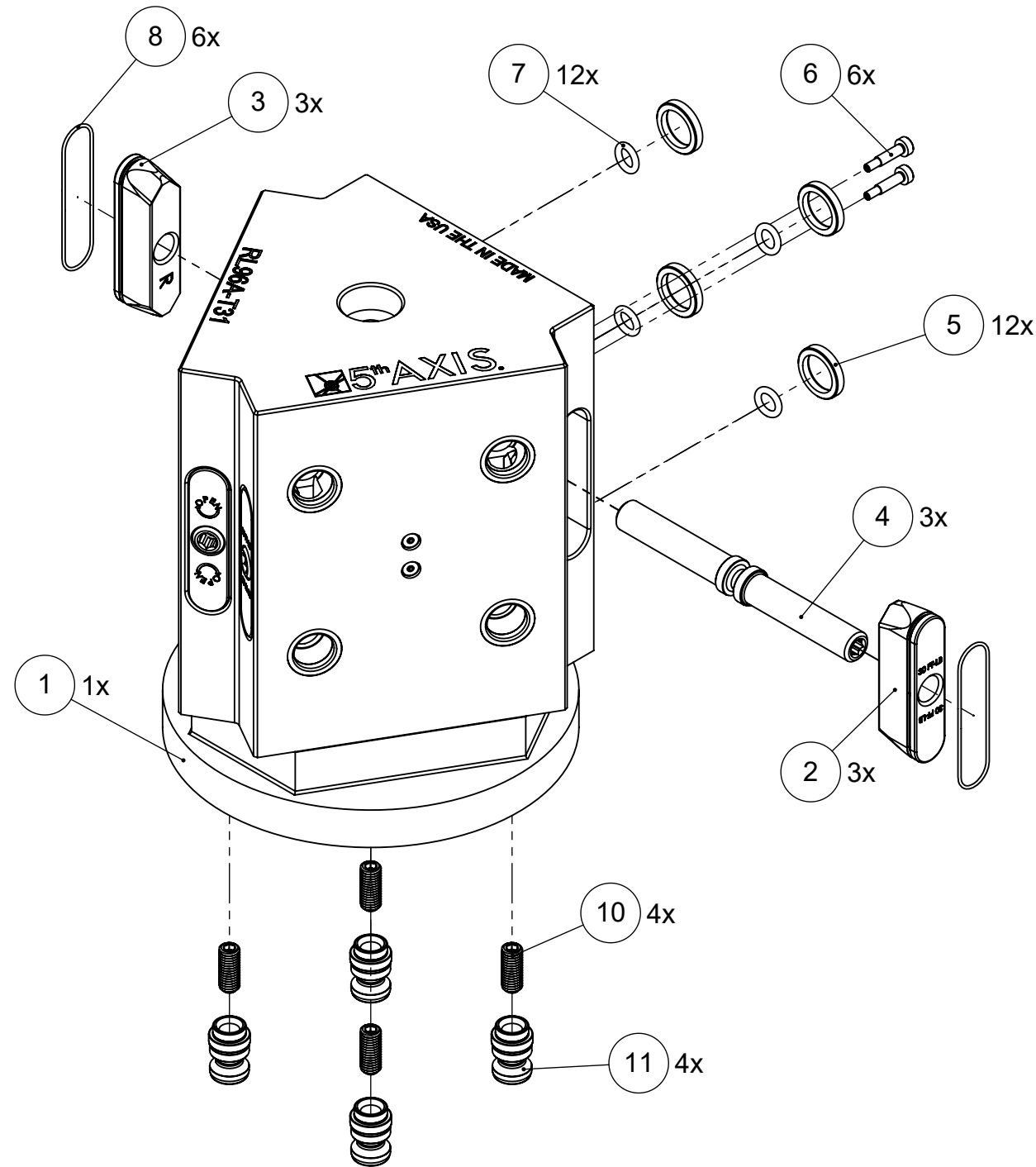


SIDE FACE AUXILIARY VIEW
 SCALE 1:4

MILLIMETER <small>DRAWN IN ACCORDANCE WITH ASME Y14.5-2009</small>	TOLERANCES <small>UNLESS OTHERWISE SPECIFIED</small> x ± 0.1 .xx ± 0.01 .x ± 0.05 .xxx ± 0.005 ANGULAR ± 0.5° THIRD ANGLE PROJECTION			
		DESCRIPTION ROCKLOCK™ 96MM THREE SIDED INTEGRATED TOMBSTONE ADAPTER		
WWW.5THAXIS.COM 7140 ENGINEER ROAD SAN DIEGO, CA 92111 P (858) 505-0432 F (858) 505-9344		SIZE B	PART NO. RL96A-T31	REV A
DO NOT SCALE DRAWING		SCALE 1:3	WEIGHT:	SHEET 1 OF 3

MATERIAL:
RL96A-T31: 6061 ALUMINUM BODY

RL96A-T31



ITEM NO.	PART NUMBER	DESCRIPTION	QTY.
1	RL96-1T31A	ROCKLOCK™ BASE	1
2	RL96-2L	LEFT ROCKLOCK™ TRUCK	3
3	RL96-2R	RIGHT ROCKLOCK™ TRUCK	3
4	RL96-3	ROCKLOCK™ LEAD SCREW	3
5	27X20.DB	PRECISION BUSHING	12
6	SB54	SHOULDER BOLT	6
7	9452K183	BASE O-RING	12
8	9452K121	TRUCK O-RING	6
9	9750K73	PLASTIC PLUG (NOT SHOWN)	12
10	91390A162	SET SCREW	4
11	PS20F	PULL STUD	4

FOR REFERENCE ONLY - NOT FOR RESALE

MILLIMETER

DRAWN IN ACCORDANCE WITH
 ASME Y14.5-2009

WWW.5THAXIS.COM

7140 ENGINEER ROAD
 SAN DIEGO, CA 92111

P (858) 505-0432
 F (858) 505-9344

TOLERANCES

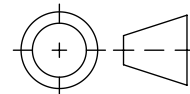
UNLESS OTHERWISE SPECIFIED

x ± 0.1 .xx ± 0.01

.x ± 0.05 .xxx ± 0.005

ANGULAR ± 0.5°

THIRD ANGLE PROJECTION



DESCRIPTION
ROCKLOCK™ 96MM THREE SIDED INTEGRATED TOMBSTONE ADAPTER

SIZE **B** PART NO. **RL96A-T31** REV **A**

DO NOT SCALE DRAWING

SCALE 1:3

WEIGHT:

SHEET 2 OF 3

8

7

6

5

4

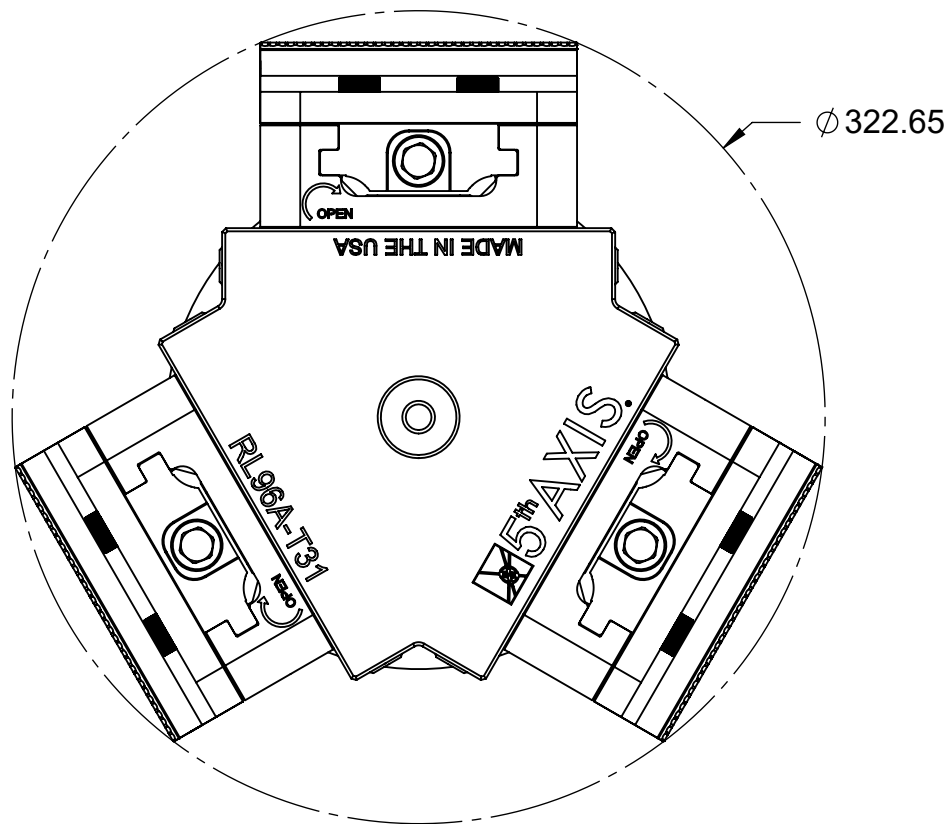
3

2

1

MATERIAL:
RL96A-T31: 6061 ALUMINUM BODY

RL96A-T31



TOP VIEW OF RL96A-T31 WITH 3x V562M

MILLIMETER

DRAWN IN ACCORDANCE WITH
ASME Y14.5-2009

WWW.5THAXIS.COM

7140 ENGINEER ROAD
SAN DIEGO, CA 92111

P (858) 505-0432
F (858) 505-9344

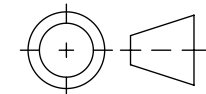
TOLERANCES

UNLESS OTHERWISE SPECIFIED

x ± 0.1 .xx ± 0.01
.x ± 0.05 .xxx ± 0.005

ANGULAR ± 0.5°

THIRD ANGLE PROJECTION



DESCRIPTION

ROCKLOCK™ 96MM THREE SIDED INTEGRATED TOMBSTONE ADAPTER

SIZE
B

PART NO.

RL96A-T31

REV
A

DO NOT SCALE DRAWING

SCALE 1:3

WEIGHT:

SHEET 3 OF 3

8

7

6

5

4

3

2

1