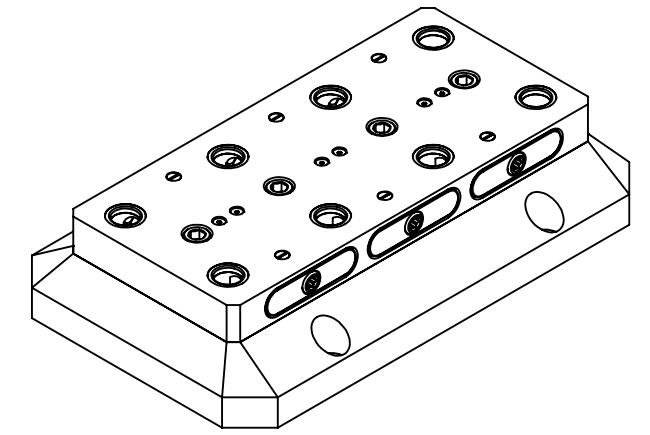


RL96A-3915



D

D

C

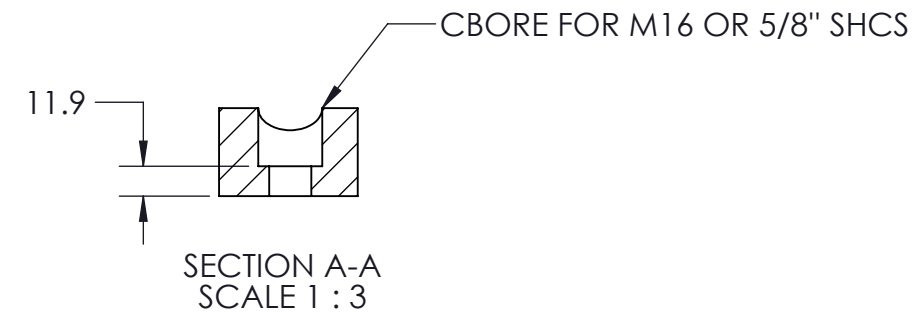
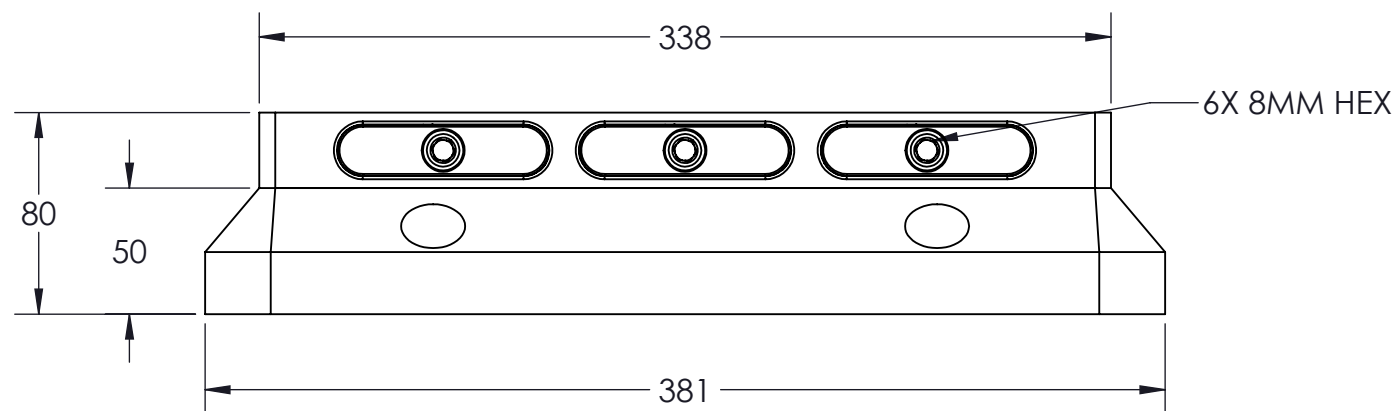
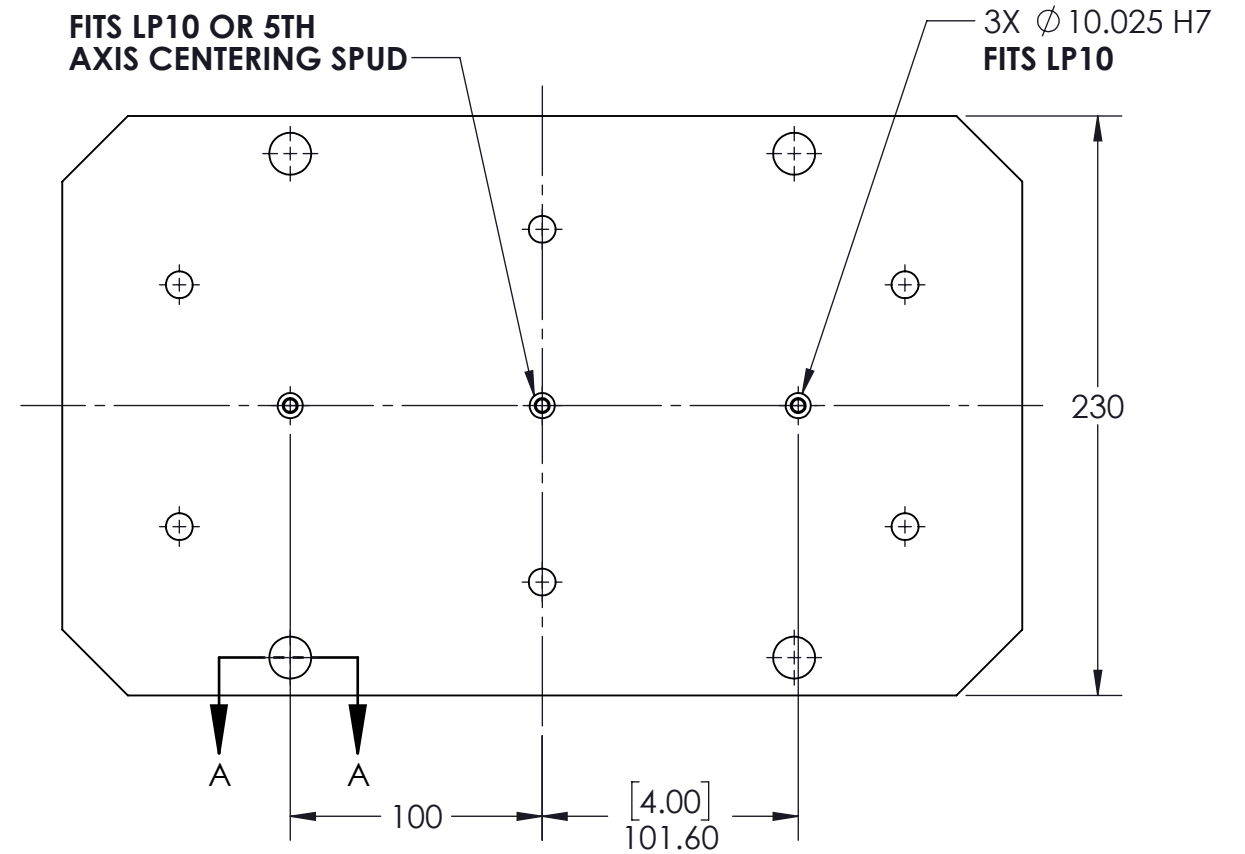
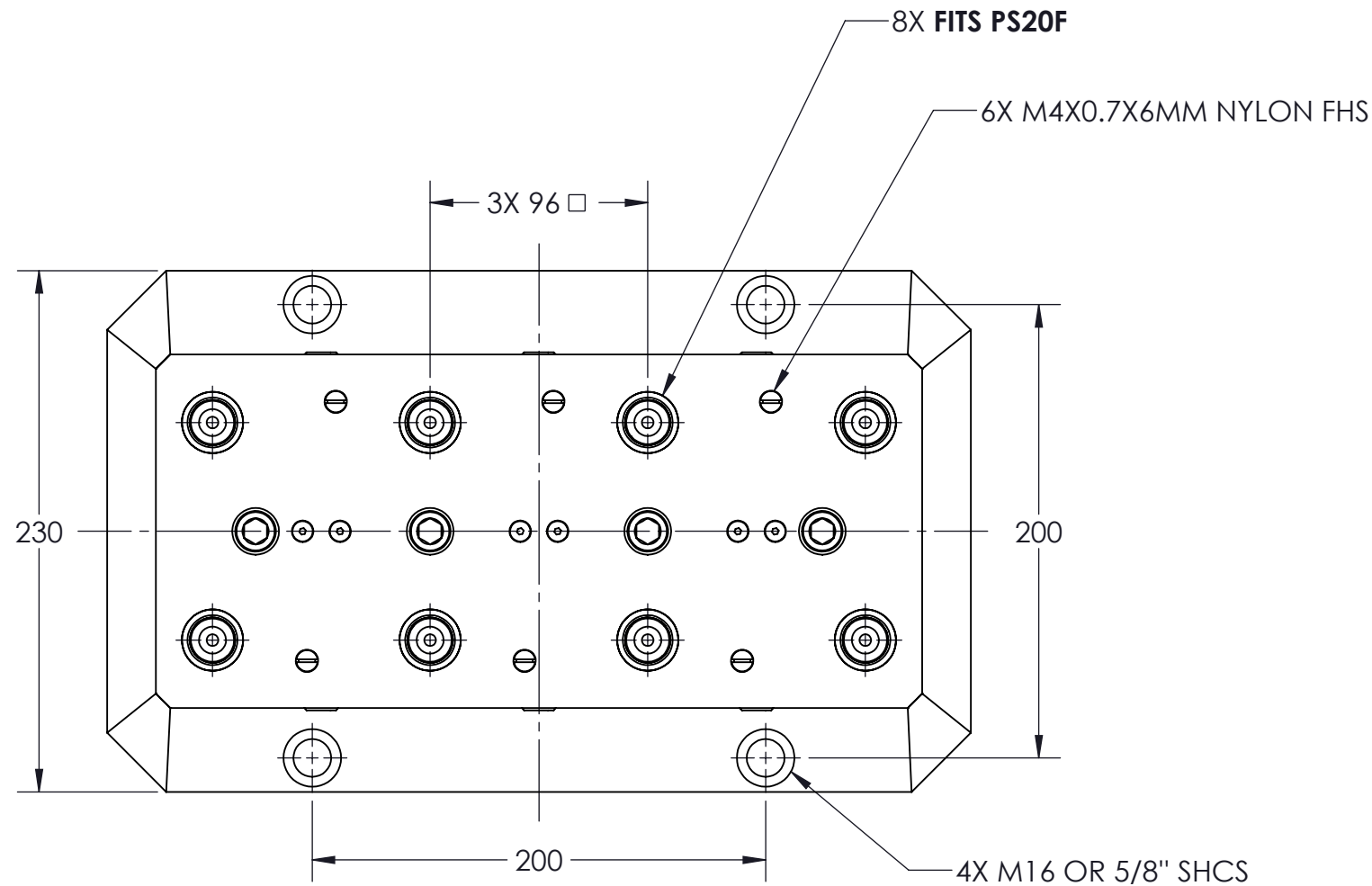
C

B

B

A

A



MILLIMETER
DRAWN IN ACCORDANCE WITH ASME Y14.5-2009
PROPRIETARY AND CONFIDENTIAL
THE INFORMATION CONTAINED IN THIS DRAWING IS THE SOLE PROPERTY OF FIFTH AXIS, INC. ANY REPRODUCTION IN PART OR AS A WHOLE WITHOUT THE WRITTEN PERMISSION OF FIFTH AXIS, INC. IS PROHIBITED.

TOLERANCES
UNLESS OTHERWISE SPECIFIED
X ± 1.0
.X ± 0.3 ANGLULAR ± 0.5°
.XX ± 0.13
THIRD ANGLE PROJECTION

		WWW.FIFTHAXIS.COM 7140 ENGINEER ROAD SAN DIEGO, CA 92111 P (858) 505-0432 F (858) 505-9344	
DESCRIPTION ROCKLOCK™ 96MM MULTI POSITION RISER			
SIZE B	PART NO. RL96A-3915	REV A	DO NOT SCALE DRAWING SCALE 1:5 WEIGHT: SHEET 1 OF 1