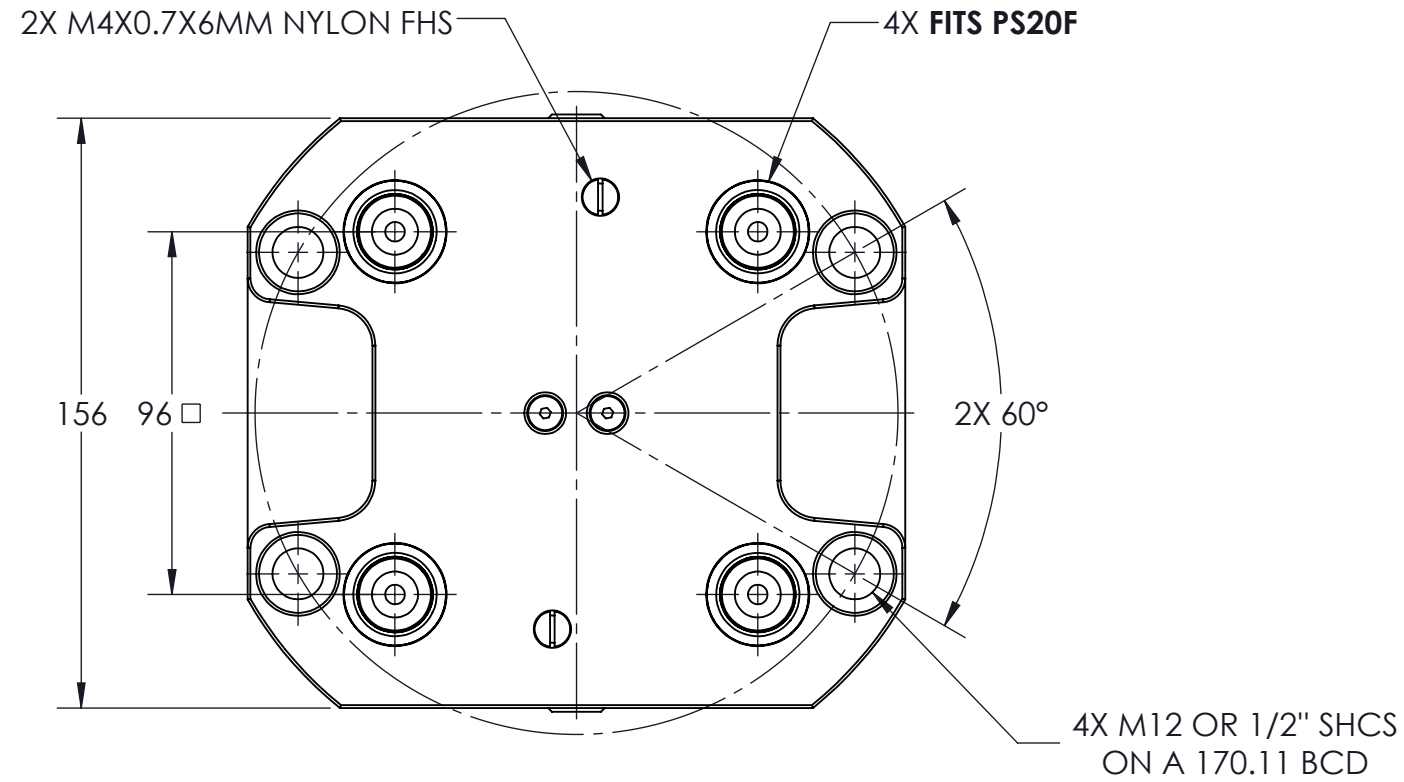
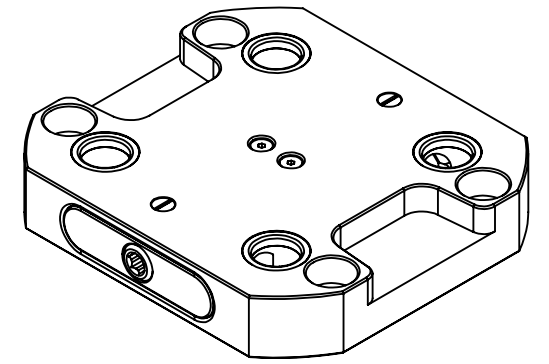
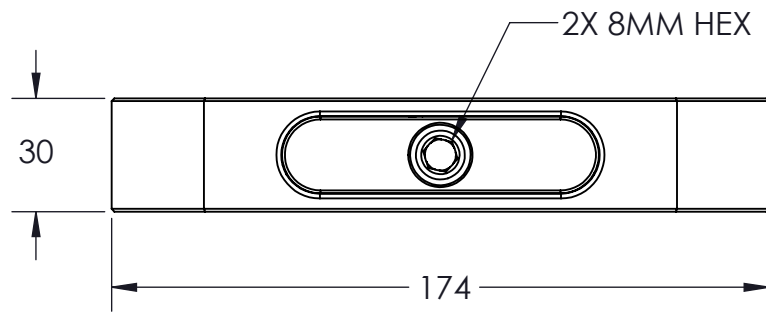
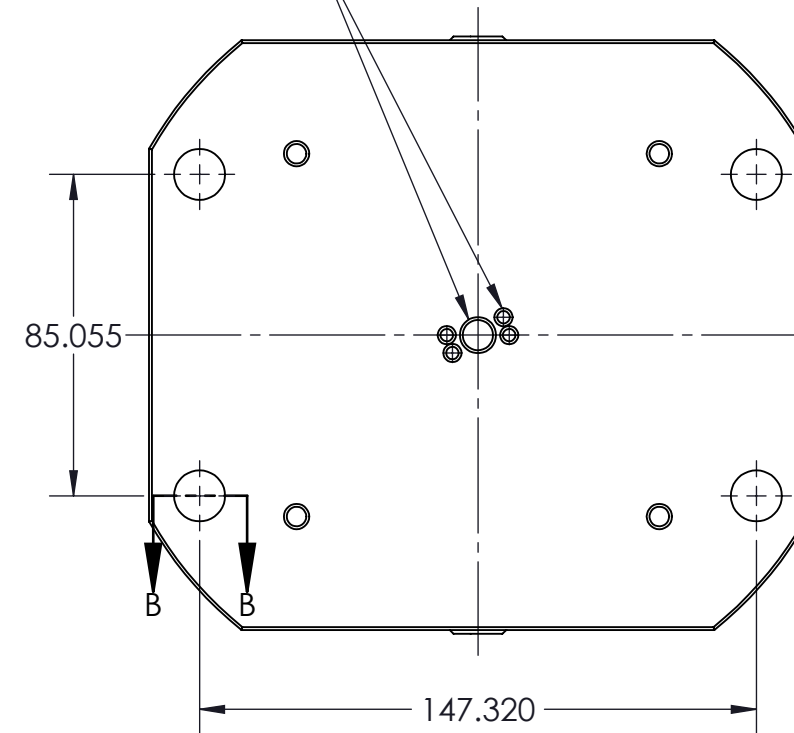


MATERIAL:  
 RL96S-6760: 1018 STEEL  
 RL96A-6760: 6061 ALUMINUM

# RL96S-6760 RL96A-6760



FOR 5TH AXIS  
 CENTERING SPUD



SECTION B-B  
 SCALE 1 : 2

<b>MILLIMETER</b> DRAWN IN ACCORDANCE WITH ASME Y14.5-2009 <b>PROPRIETARY AND          CONFIDENTIAL</b> THE INFORMATION CONTAINED IN THIS DRAWING IS THE SOLE PROPERTY OF FIFTH AXIS, INC. ANY REPRODUCTION IN PART OR AS A WHOLE WITHOUT THE WRITTEN PERMISSION OF FIFTH AXIS, INC. IS PROHIBITED.	<b>TOLERANCES</b> UNLESS OTHERWISE SPECIFIED X ± 1.0 .X ± 0.3 ANGLULAR ± 0.5° .XX ± 0.13		WWW.FIFTHAXIS.COM 7140 ENGINEER ROAD SAN DIEGO, CA 92111 P (858) 505-0432 F (858) 505-9344
	THRID ANGLE PROJECTION 		<b>DESCRIPTION</b> ROCKLOCK™ 96MM LOW PROFILE BASE
SIZE PART NO. <b>B</b> RL96-6760		REV <b>A</b>	DO NOT SCALE DRAWING SCALE 2:1 WEIGHT: SHEET 1 OF 1