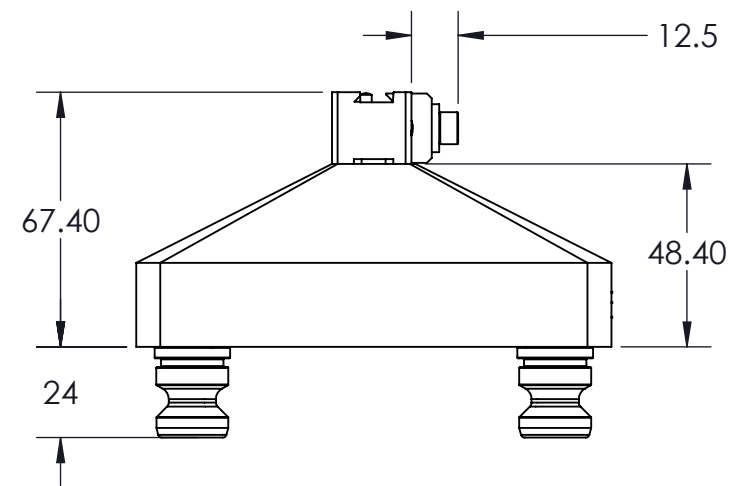
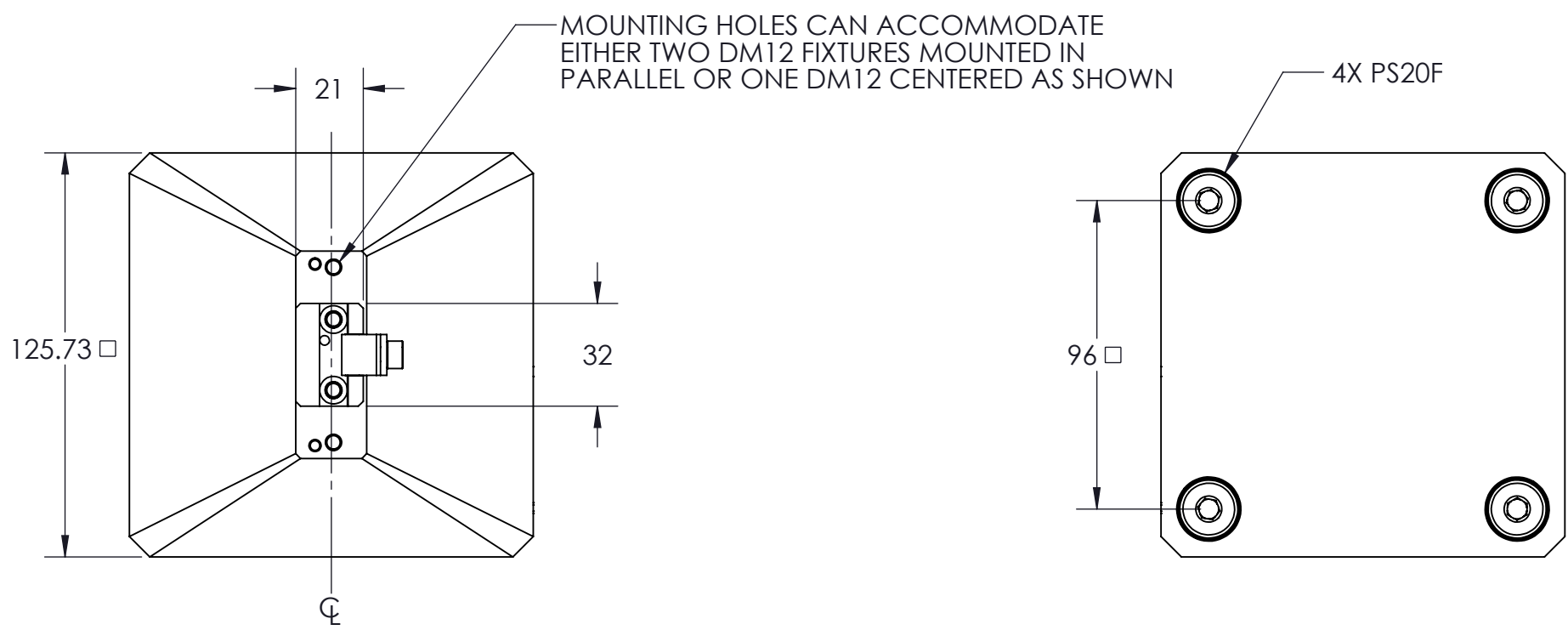
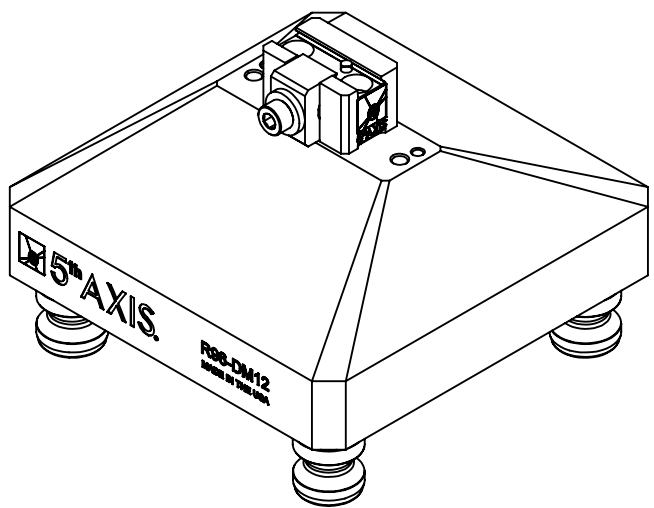


8 7 6 5 4 3 2 1

# R96-DM12



<b>MILLIMETER</b> <small>DRAWN IN ACCORDANCE WITH ASME Y14.5-2009</small> <b>PROPRIETARY AND CONFIDENTIAL</b> <small>THE INFORMATION CONTAINED IN THIS DRAWING IS THE SOLE PROPERTY OF FIFTH AXIS, INC. ANY REPRODUCTION IN PART OR AS A WHOLE WITHOUT THE WRITTEN PERMISSION OF FIFTH AXIS, INC. IS PROHIBITED.</small>	<b>TOLERANCES</b> <small>UNLESS OTHERWISE SPECIFIED</small> X ± 1.0 .X ± 0.3 ANGLULAR ± 0.5° .XX ± 0.13		WWW.FIFTHAXIS.COM 7140 ENGINEER ROAD SAN DIEGO, CA 92111 P (858) 505-0432 F (858) 505-9344
	<small>THIRD ANGLE PROJECTION</small> 		
<b>SIZE</b> <b>B</b>	<b>PART NO.</b> R96-DM12	<b>REV</b> A	<small>DO NOT SCALE DRAWING</small>   <small>SCALE 1:2</small>   <small>WEIGHT:</small>   <small>SHEET 1 OF 1</small>

8 7 6 5 4 3 2 1