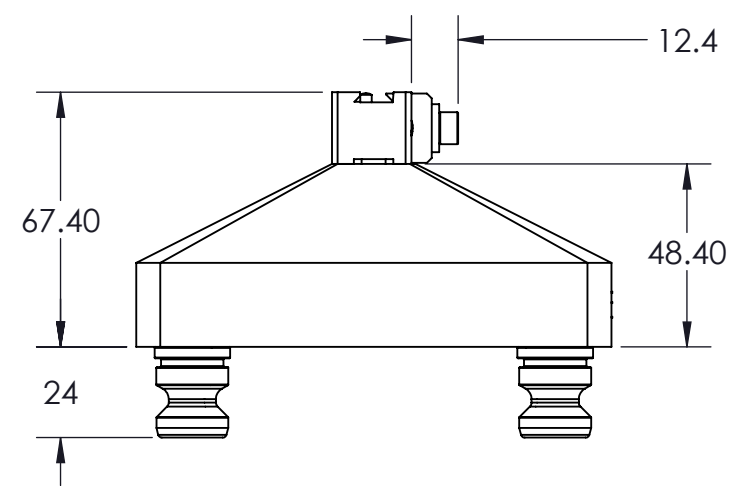
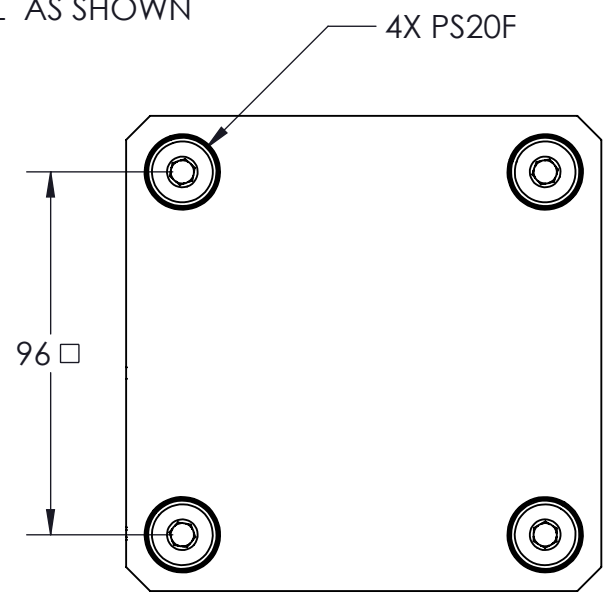
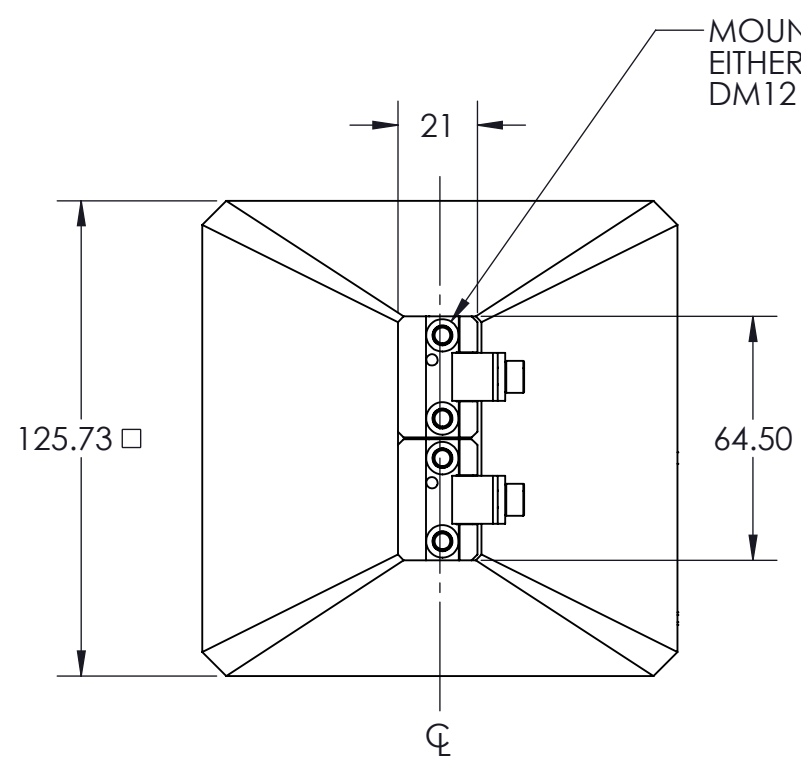
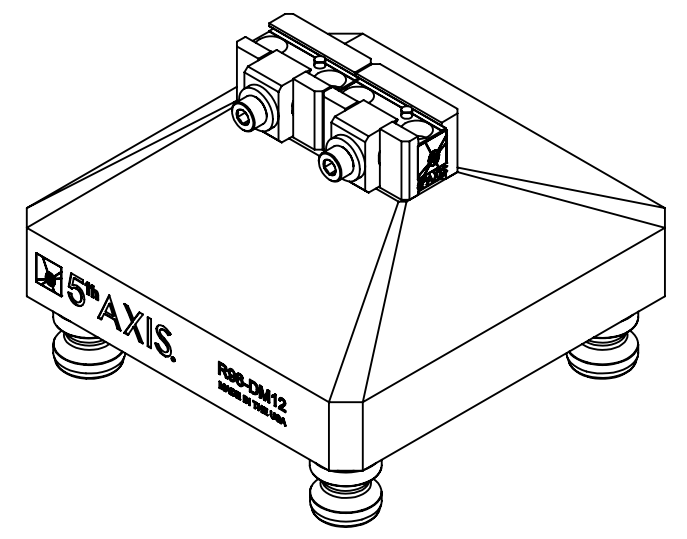


8 7 6 5 4 3 2 1

# R96-DM12X2



<b>MILLIMETER</b> <small>DRAWN IN ACCORDANCE WITH ASME Y14.5-2009</small>		<b>TOLERANCES</b> <small>UNLESS OTHERWISE SPECIFIED</small>			WWW.FIFTHAXIS.COM 7140 ENGINEER ROAD SAN DIEGO, CA 92111 P (858) 505-0432 F (858) 505-9344
<b>PROPRIETARY AND CONFIDENTIAL</b> <small>THE INFORMATION CONTAINED IN THIS DRAWING IS THE SOLE PROPERTY OF FIFTH AXIS, INC. ANY REPRODUCTION IN PART OR AS A WHOLE WITHOUT THE WRITTEN PERMISSION OF FIFTH AXIS, INC. IS PROHIBITED.</small>		<small>X ± 1.0 .X ± 0.3 ANGULAR ± 0.5° .XX ± 0.13</small>			
		<small>THIRD ANGLE PROJECTION</small>		<b>DESCRIPTION</b> ROCKLOCK™ 96MM DM12 FIXTURE	
				<b>SIZE</b>   <b>PART NO.</b> B   R96-DM12	
				<b>REV</b> A	
				<small>DO NOT SCALE DRAWING</small>   <small>SCALE 1:2</small>   <small>WEIGHT:</small>   <small>SHEET 1 OF 1</small>	

8 7 6 5 4 3 2 1