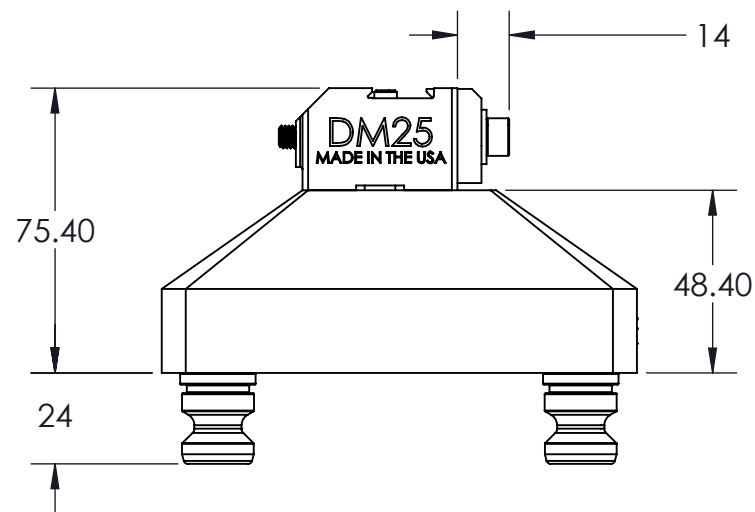
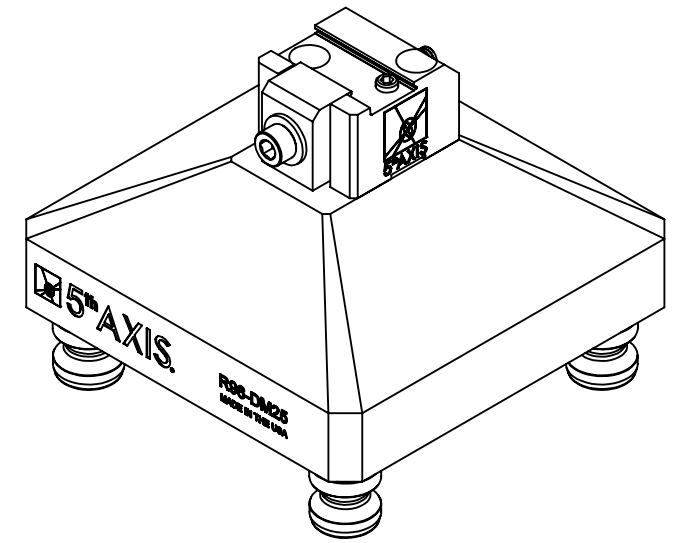
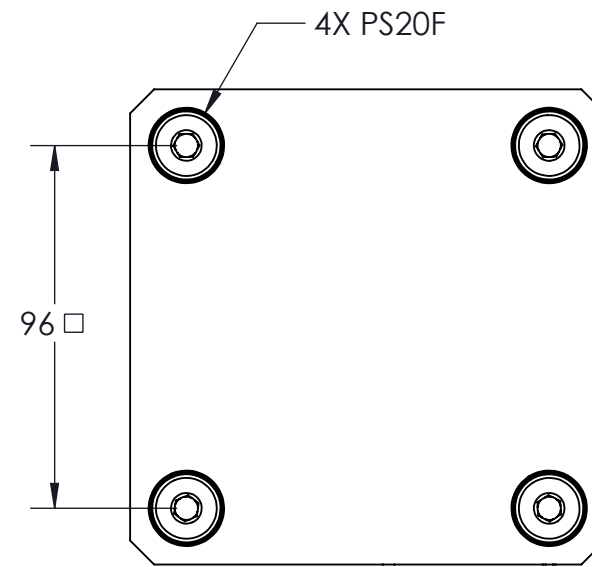
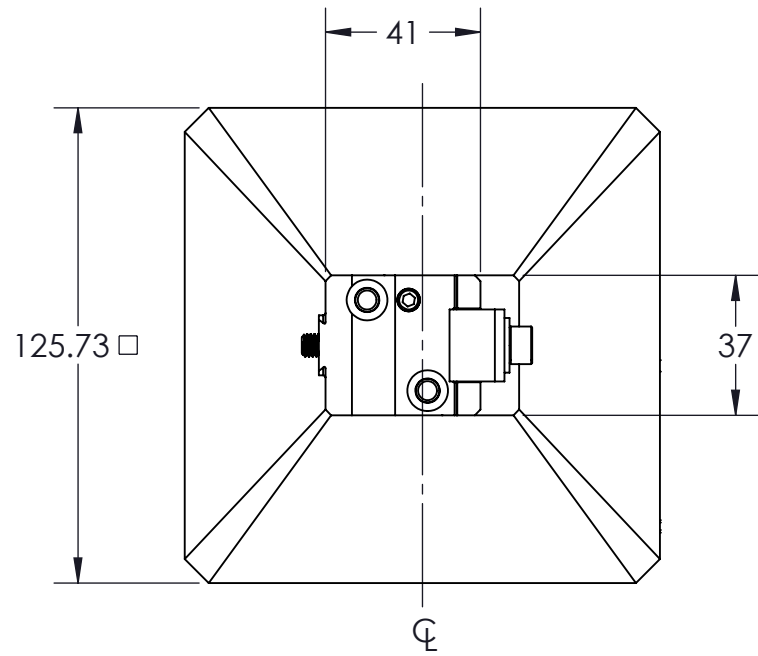

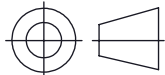


R96-DM25



MILLIMETER <small>DRAWN IN ACCORDANCE WITH ASME Y14.5-2009</small> PROPRIETARY AND CONFIDENTIAL <small>THE INFORMATION CONTAINED IN THIS DRAWING IS THE SOLE PROPERTY OF FIFTH AXIS, INC. ANY REPRODUCTION IN PART OR AS A WHOLE WITHOUT THE WRITTEN PERMISSION OF FIFTH AXIS, INC. IS PROHIBITED.</small>	TOLERANCES <small>UNLESS OTHERWISE SPECIFIED</small> X ± 1.0 .X ± 0.3 ANGLULAR ± 0.5° .XX ± 0.13	 5th AXIS <small>WWW.FIFTHAXIS.COM 7140 ENGINEER ROAD SAN DIEGO, CA 92111 P (858) 505-0432 F (858) 505-9344</small>	DESCRIPTION ROCKLOCK™ 96MM DM25 FIXTURE	
	<small>THIRD ANGLE PROJECTION</small> 			SIZE PART NO. REV B R96-DM25 A
<small>DO NOT SCALE DRAWING</small>		<small>SCALE 1:2</small>	<small>WEIGHT:</small>	<small>SHEET 1 OF 1</small>