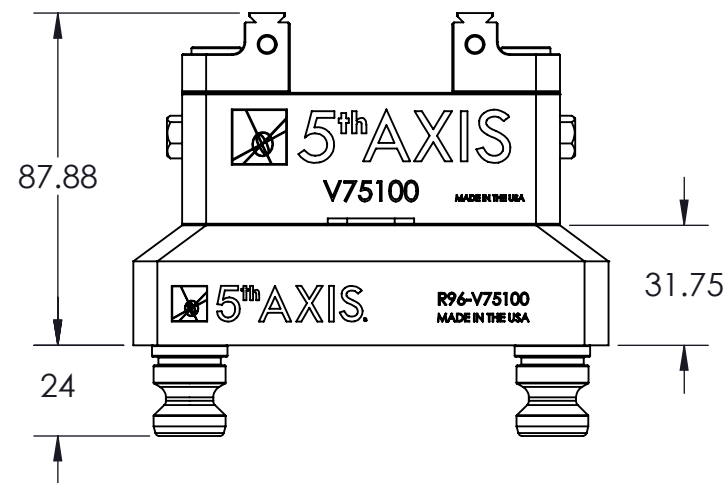
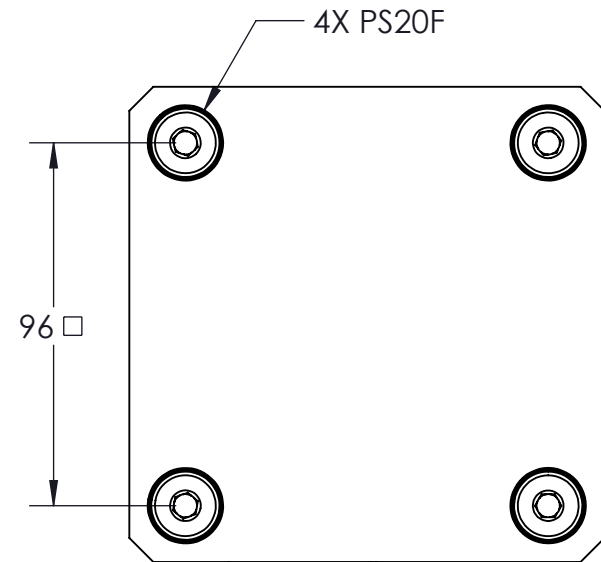
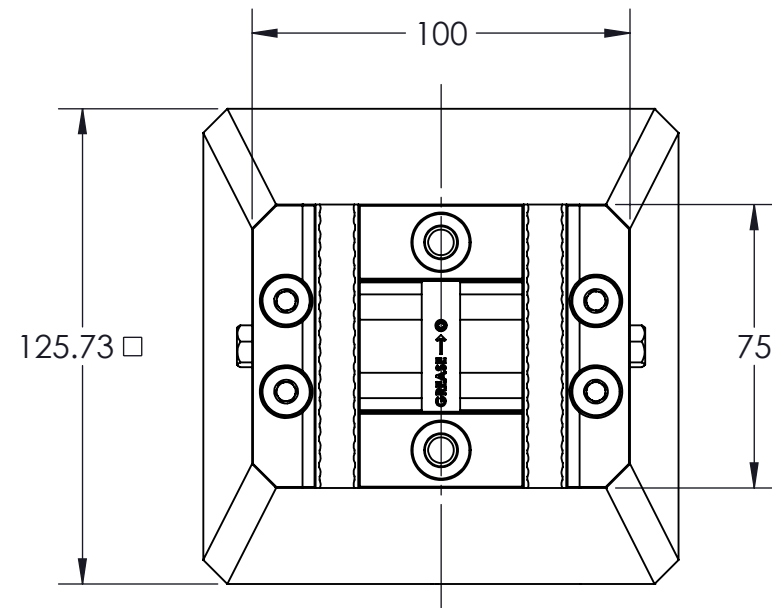
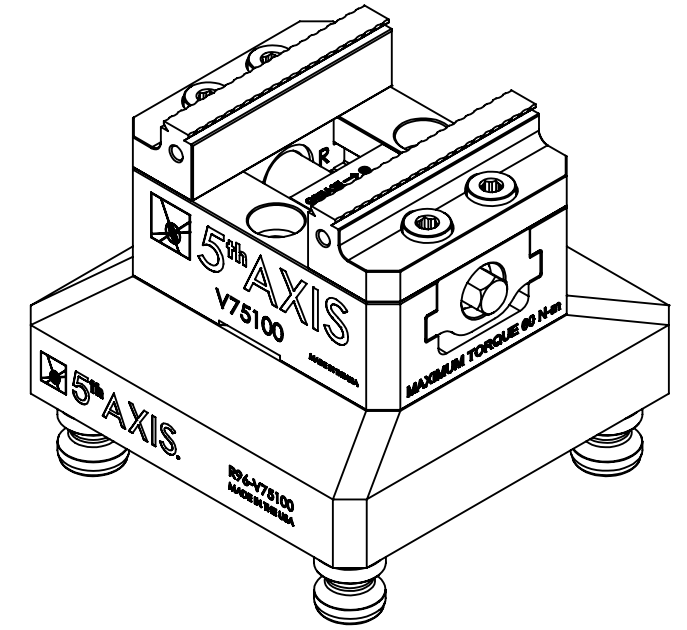


8 7 6 5 4 3 2 1

R96-V75100



MILLIMETER DRAWN IN ACCORDANCE WITH ASME Y14.5-2009 PROPRIETARY AND CONFIDENTIAL THE INFORMATION CONTAINED IN THIS DRAWING IS THE SOLE PROPERTY OF FIFTH AXIS, INC. ANY REPRODUCTION IN PART OR AS A WHOLE WITHOUT THE WRITTEN PERMISSION OF FIFTH AXIS, INC. IS PROHIBITED.	TOLERANCES UNLESS OTHERWISE SPECIFIED X ± 1.0 .X ± 0.3 ANGLULAR ± 0.5° .XX ± 0.13		WWW.FIFTHAXIS.COM 7140 ENGINEER ROAD SAN DIEGO, CA 92111 P (858) 505-0432 F (858) 505-9344
	THRID ANGLE PROJCTION 		
SIZE B	PART NO. R96-V75100	REV A	DO NOT SCALE DRAWING SCALE 1:2 WEIGHT: SHEET 1 OF 1

8 7 6 5 4 3 2 1