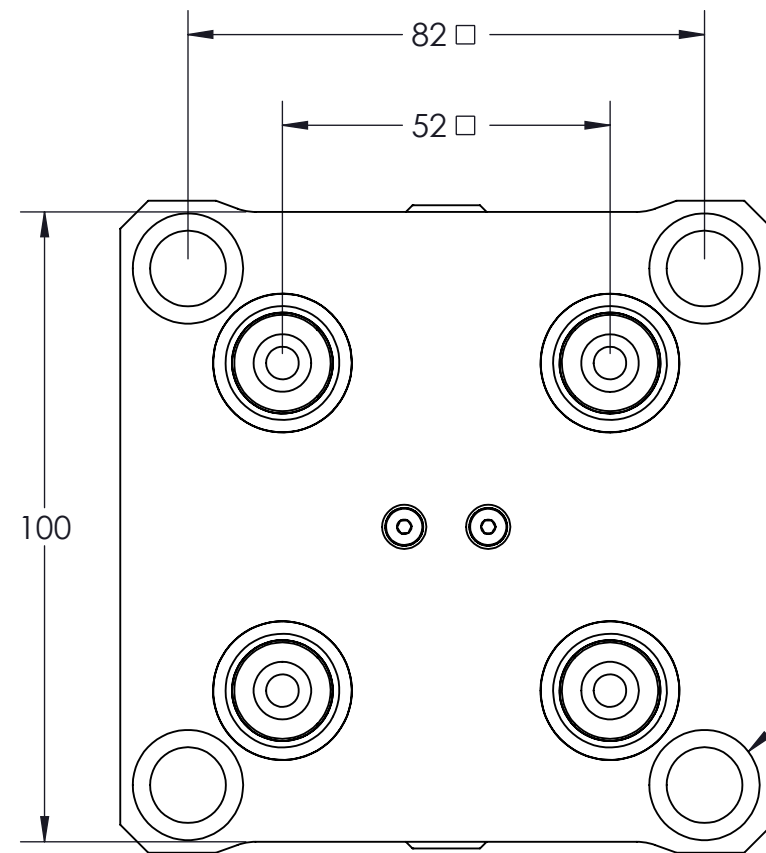
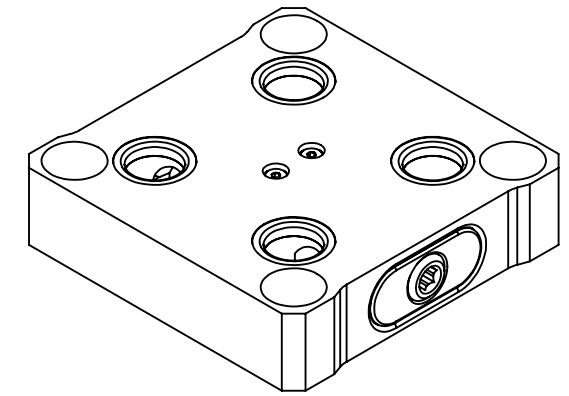
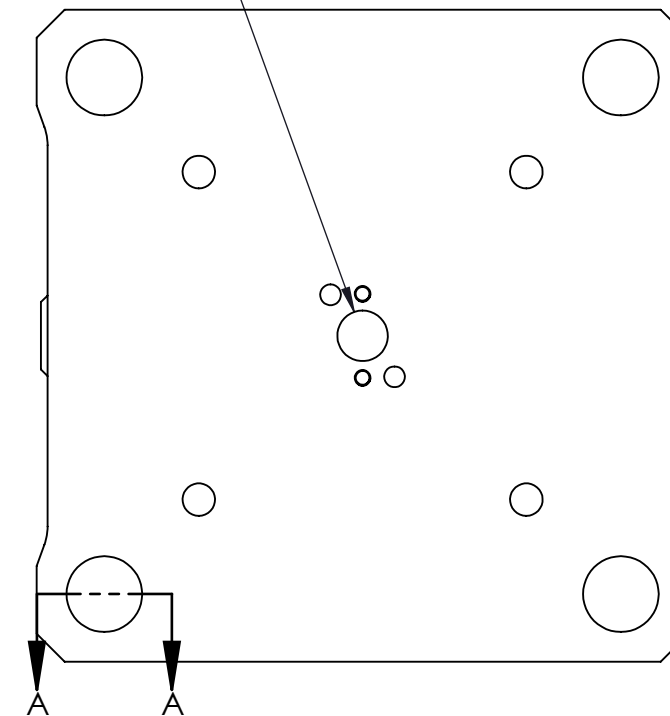


MATERIAL:  
 RL52S-44 : 1018 STEEL BODY  
 RL52A-44 : 6061 ALUMINUM BODY

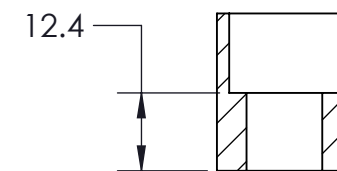
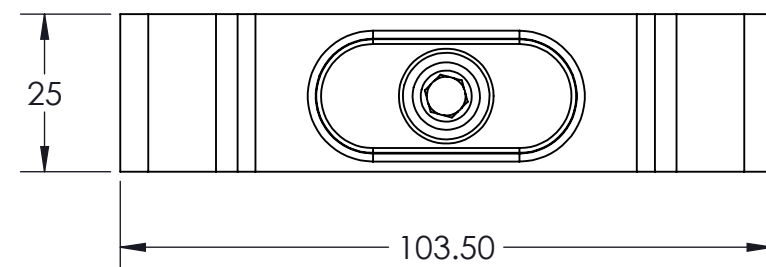
# RL52S-44 RL52A-44



FOR 5TH AXIS  
 CENTERING SPUD



4X FITS M12 OR 1/2" SHCS



SECTION A-A  
 SCALE 1 : 1.2

<b>MILLIMETER</b> <small>DRAWN IN ACCORDANCE WITH ASME Y14.5-2009</small> <b>PROPRIETARY AND CONFIDENTIAL</b> <small>THE INFORMATION CONTAINED IN THIS DRAWING IS THE SOLE PROPERTY OF FIFTH AXIS, INC. ANY REPRODUCTION IN PART OR AS A WHOLE WITHOUT THE WRITTEN PERMISSION OF FIFTH AXIS, INC. IS PROHIBITED.</small>	<b>TOLERANCES</b> <small>UNLESS OTHERWISE SPECIFIED</small> X ± 1.0 .X ± 0.3 ANGLULAR ± 0.5° .XX ± 0.13		WWW.FIFTHAXIS.COM 7140 ENGINEER ROAD SAN DIEGO, CA 92111 P (858) 505-0432 F (858) 505-9344
	<small>THIRD ANGLE PROJECTION</small> 		DESCRIPTION <b>ROCKLOCK™ 52MM DM12 FIXTURE</b>
SIZE <b>B</b>	PART NO. <b>R52-DM12</b>	REV <b>A</b>	DO NOT SCALE DRAWING    SCALE 1:2    WEIGHT:    SHEET 1 OF 1