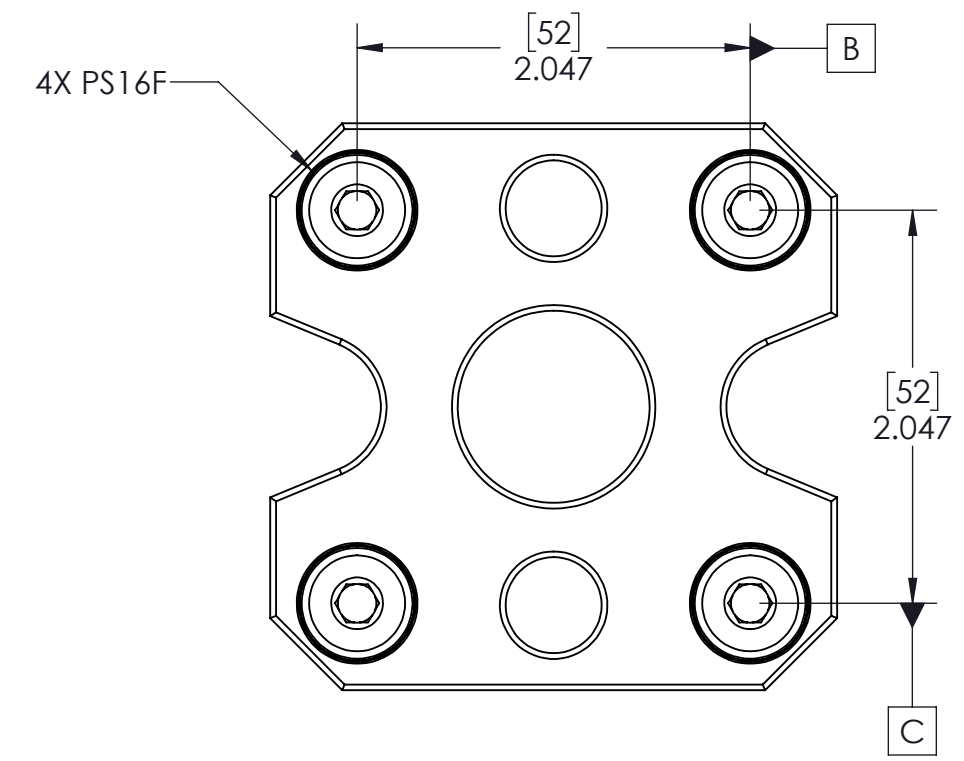
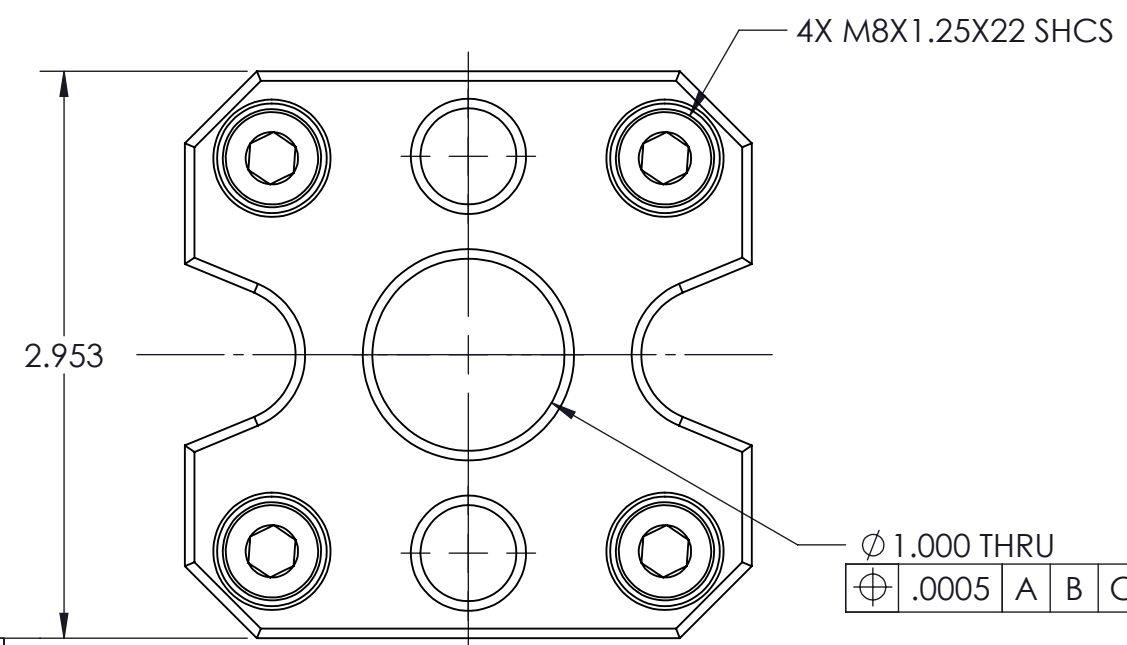
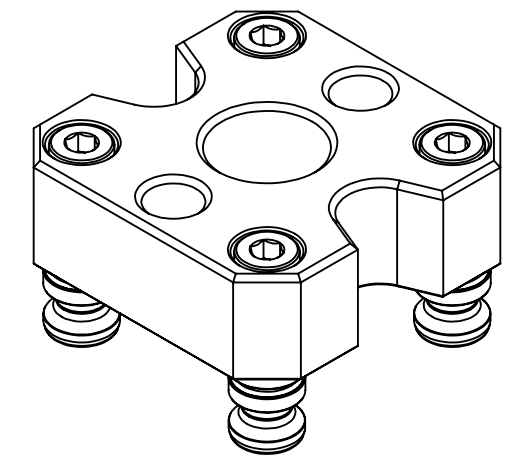
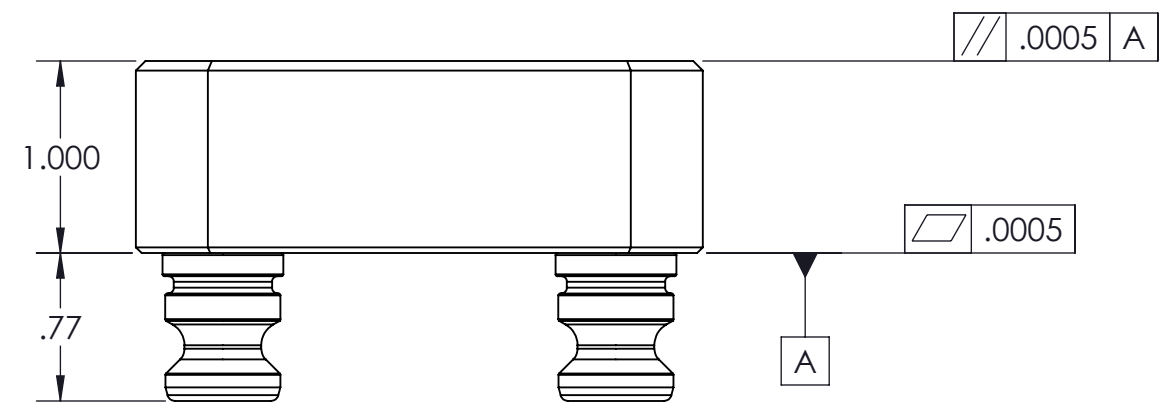


8 7 6 5 4 3 2 1

RL52-MP



/// .0005 C



INCH <small>DRAWN IN ACCORDANCE WITH ASME Y14.5-2009</small> PROPRIETARY AND CONFIDENTIAL <small>THE INFORMATION CONTAINED IN THIS DRAWING IS THE SOLE PROPERTY OF FIFTH AXIS, INC. ANY REPRODUCTION IN PART OR AS A WHOLE WITHOUT THE WRITTEN PERMISSION OF FIFTH AXIS, INC. IS PROHIBITED.</small>	TOLERANCES <small>UNLESS OTHERWISE SPECIFIED</small> X ± 0.1 .XX ± 0.01 .X ± 0.05 .XXX ± 0.005 ANGULAR ± 0.5°		WWW.FIFTHAXIS.COM 7140 ENGINEER ROAD SAN DIEGO, CA 92111 P (858) 505-0432 F (858) 505-9344
	<small>THIRD ANGLE PROJECTION</small> 		
SIZE PART NO. B RL52-MP		REV	
<small>DO NOT SCALE DRAWING</small>		<small>SCALE 1:2</small>	<small>WEIGHT:</small>
		<small>SHEET 1 OF 1</small>	

8 7 6 5 4 3 2 1