

8

7

6

5

4

3

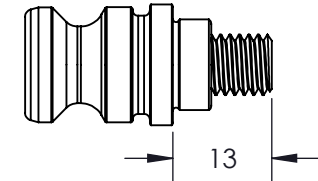
2

1

D

D

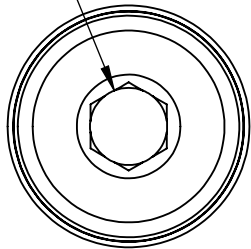
# PS16F



SHOWN WITH SUPPLIED M8X1.25 x 25MM SET SCREW INSTALLED

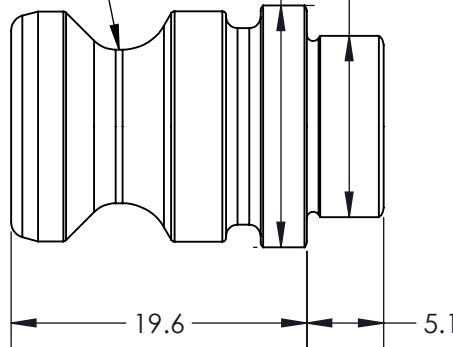
INTERFACES WITH 5TH AXIS ROCKLOCK SYSTEM

5MM HEX

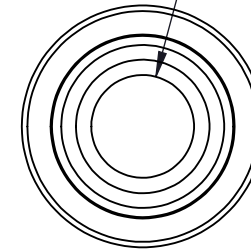


$\varnothing 15.997 \pm 0.005$

$\varnothing 11.991 \pm 0.005$



M8X1.25  $\nabla$  11.4 FOR USE WITH CUP POINT SET SCREW OR SHCS



ALSO COMPATIBLE WITH OTHER 52MM TOP TOOLING

B

B

A

A

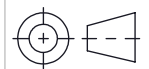
**MILLIMETER TOLERANCES**  
UNLESS OTHERWISE SPECIFIED

DRAWN IN ACCORDANCE WITH ASME Y14.5-2009	X ± 0.1	.XX ± 0.01
	X ± 0.05	.XXX ± 0.005
	ANGULAR ± 0.5°	

**PROPRIETARY AND CONFIDENTIAL**

THE INFORMATION CONTAINED IN THIS DRAWING IS THE SOLE PROPERTY OF FIFTH AXIS, INC. ANY REPRODUCTION IN PART OR AS A WHOLE WITHOUT THE WRITTEN PERMISSION OF FIFTH AXIS, INC. IS PROHIBITED.

THIRD ANGLE PROJECTION



**5<sup>th</sup>AXIS**

WWW.5THAXIS.COM  
7140 ENGINEER ROAD  
SAN DIEGO, CA 92111

P (858) 505-0432 F (858) 505-9344

DESCRIPTION  
**PULL STUD FOR ROCKLOCK 52MM SYSTEM**

SIZE PART NO.  
**A PS16F**

DO NOT SCALE DRAWING

SCALE 1:1

WEIGHT: 0.125 LBS

SHEET 1 OF 1

8

7

6

5

4

3

2

1