

8

7

6

5

4

3

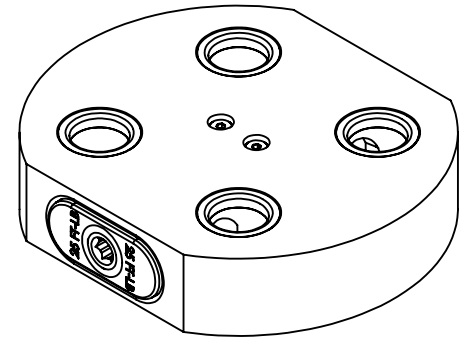
2

1

MATERIAL
 RL52A-4: 6061 ALUMINUM BODY
 RL52S-4: 1018 STEEL BODY

RL52A-4

RL52S-4



D

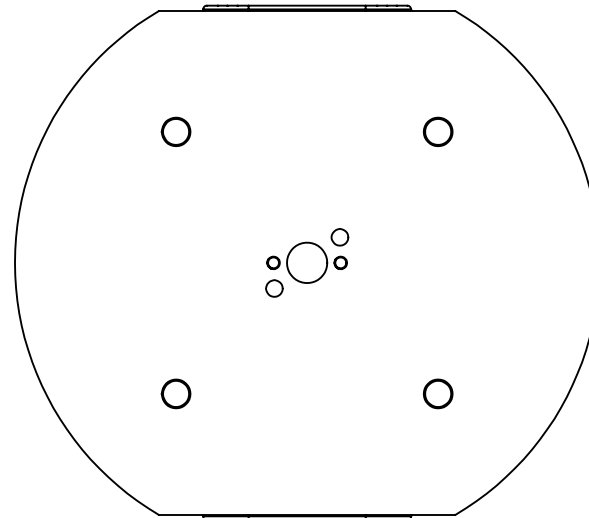
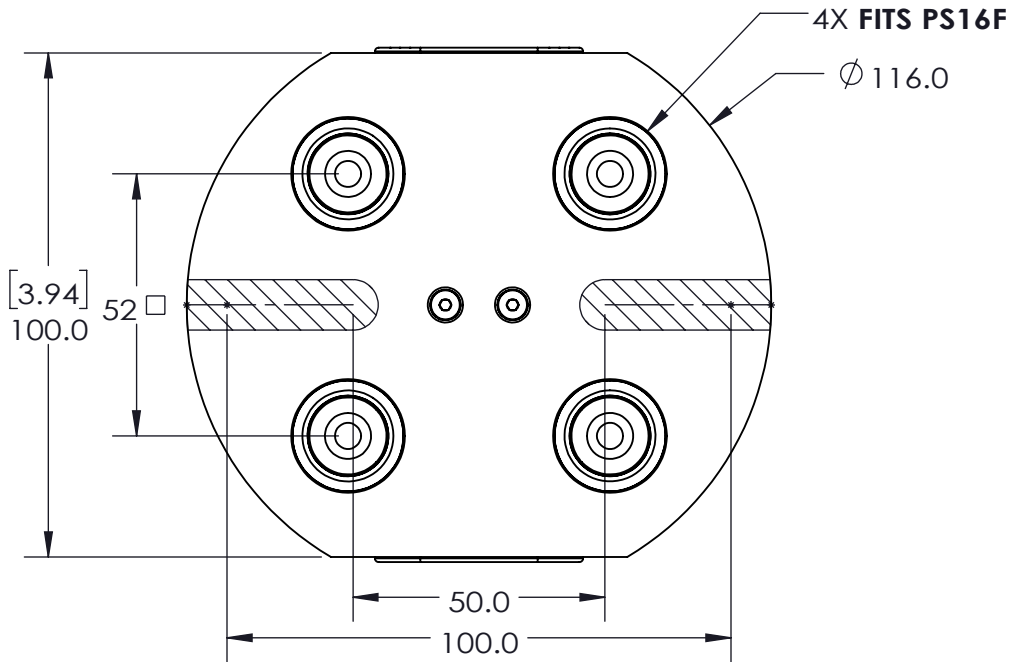
D

C

C

B

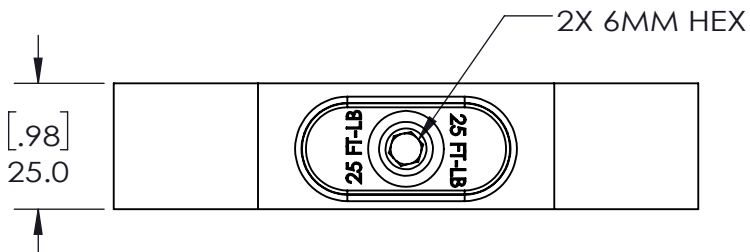
B



M10 SHCS MOUNTING HOLES CAN BE PLACED ANYWHERE FROM 50MM TO 100MM CENTER TO CENTER

A

A



MILLIMETER	TOLERANCES UNLESS OTHERWISE SPECIFIED	
	X ± 0.1	.XX ± 0.01
<small>DRAWN IN ACCORDANCE WITH ASME Y14.5-2009</small>	X ± 0.05	.XXX ± 0.005
PROPRIETARY AND CONFIDENTIAL	ANGULAR ± 0.5°	
<small>THE INFORMATION CONTAINED IN THIS DRAWING IS THE SOLE PROPERTY OF FIFTH AXIS, INC. ANY REPRODUCTION IN PART OR AS A WHOLE WITHOUT THE WRITTEN PERMISSION OF FIFTH AXIS, INC. IS PROHIBITED.</small>	THIRD ANGLE PROJECTION	

WWW.5THAXIS.COM
 7140 ENGINEER ROAD
 SAN DIEGO, CA 92111
 P (858) 505-0432 F (858) 505-9344

DESCRIPTION ROCKLOCK 52MM LOW PROFILE BASE

SIZE **A** **PART NO.** RL52A-4 & RL52S-4

DO NOT SCALE DRAWING. SCALE 1:1. WEIGHT: 2LBS & 4LBS. SHEET 1 OF 1

8

7

6

5

4

3

2

1