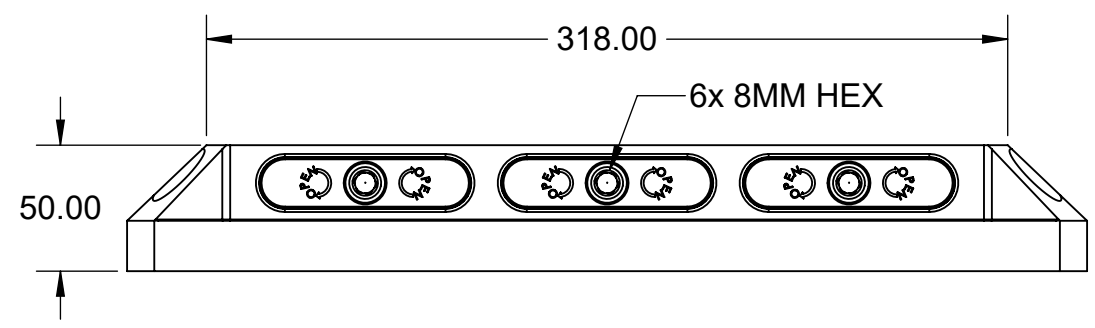
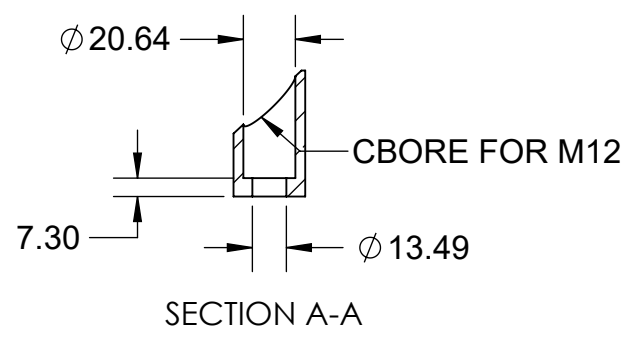
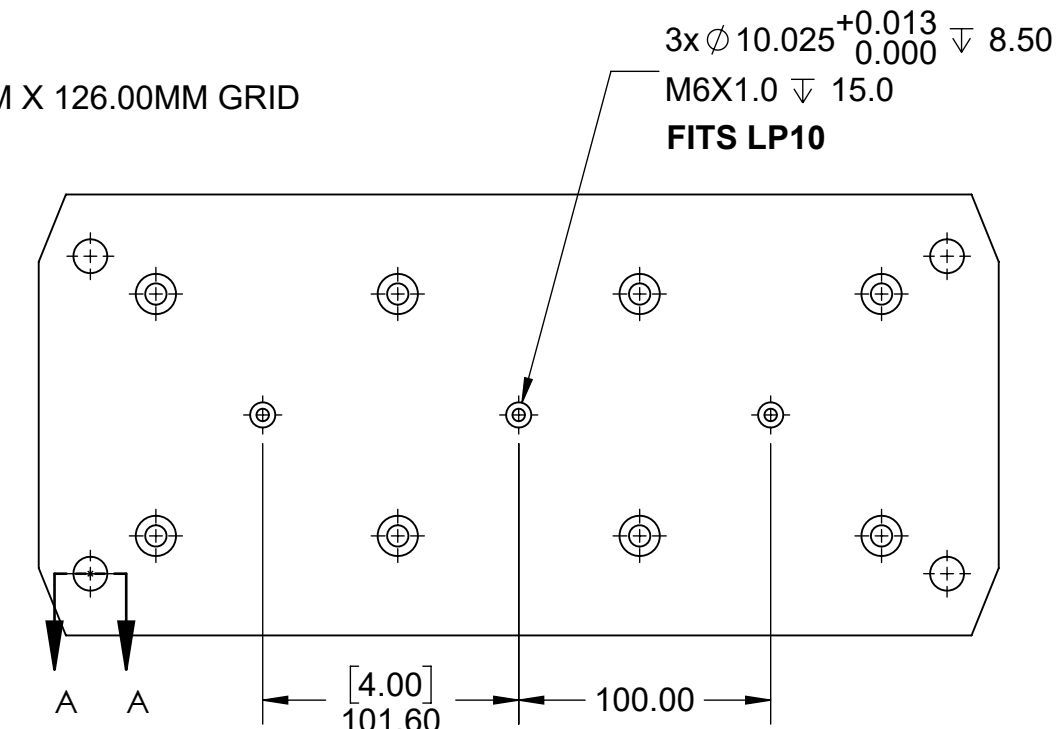
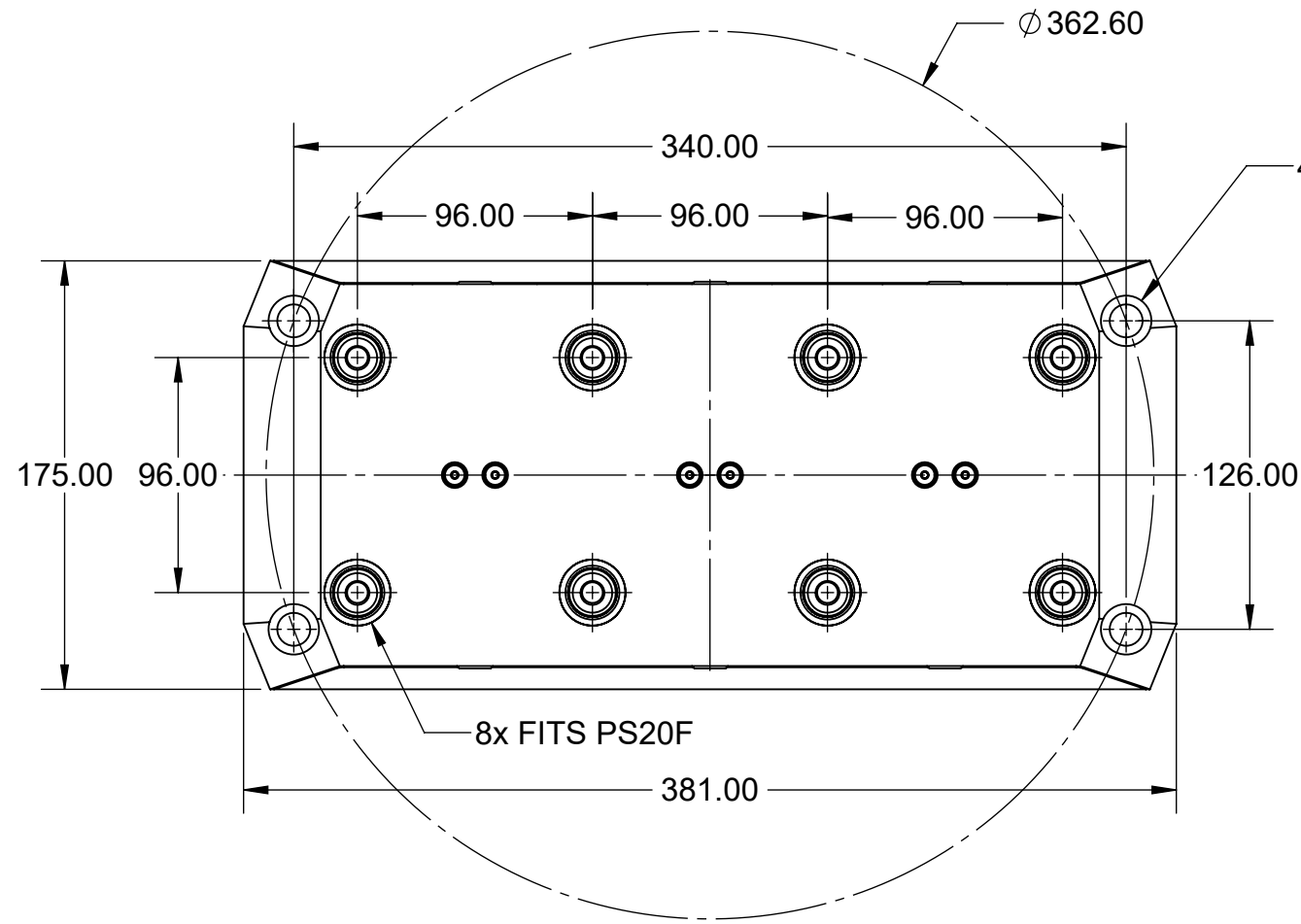
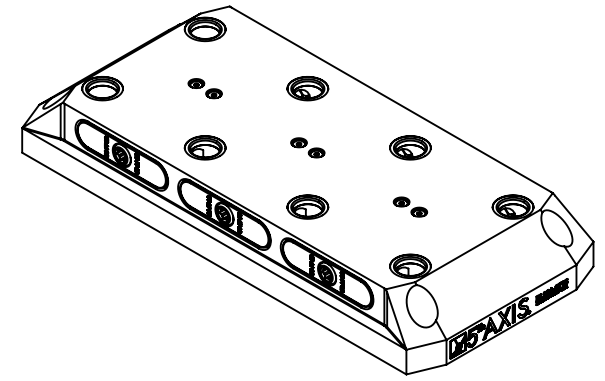


MATERIAL:
RL96A-2715: 6061 ALUMINUM BODY

RL96A-2715



MILLIMETER <small>DRAWN IN ACCORDANCE WITH ASME Y14.5-2009</small> WWW.5THAXIS.COM 7140 ENGINEER ROAD SAN DIEGO, CA 92111 P (858) 505-0432 F (858) 505-9344	TOLERANCES <small>UNLESS OTHERWISE SPECIFIED</small> x ± 0.1 .xx ± 0.01 .x ± 0.05 .xxx ± 0.005 ANGULAR $\pm 0.5^\circ$ THIRD ANGLE PROJECTION			
	DESCRIPTION ROCKLOCK™ 96MM MULTI-POSITION RISER	SIZE B	PART NO. RL96A-2715	REV A
DO NOT SCALE DRAWING		SCALE 1:3	WEIGHT:	SHEET 1 OF 2

8

7

6

5

4

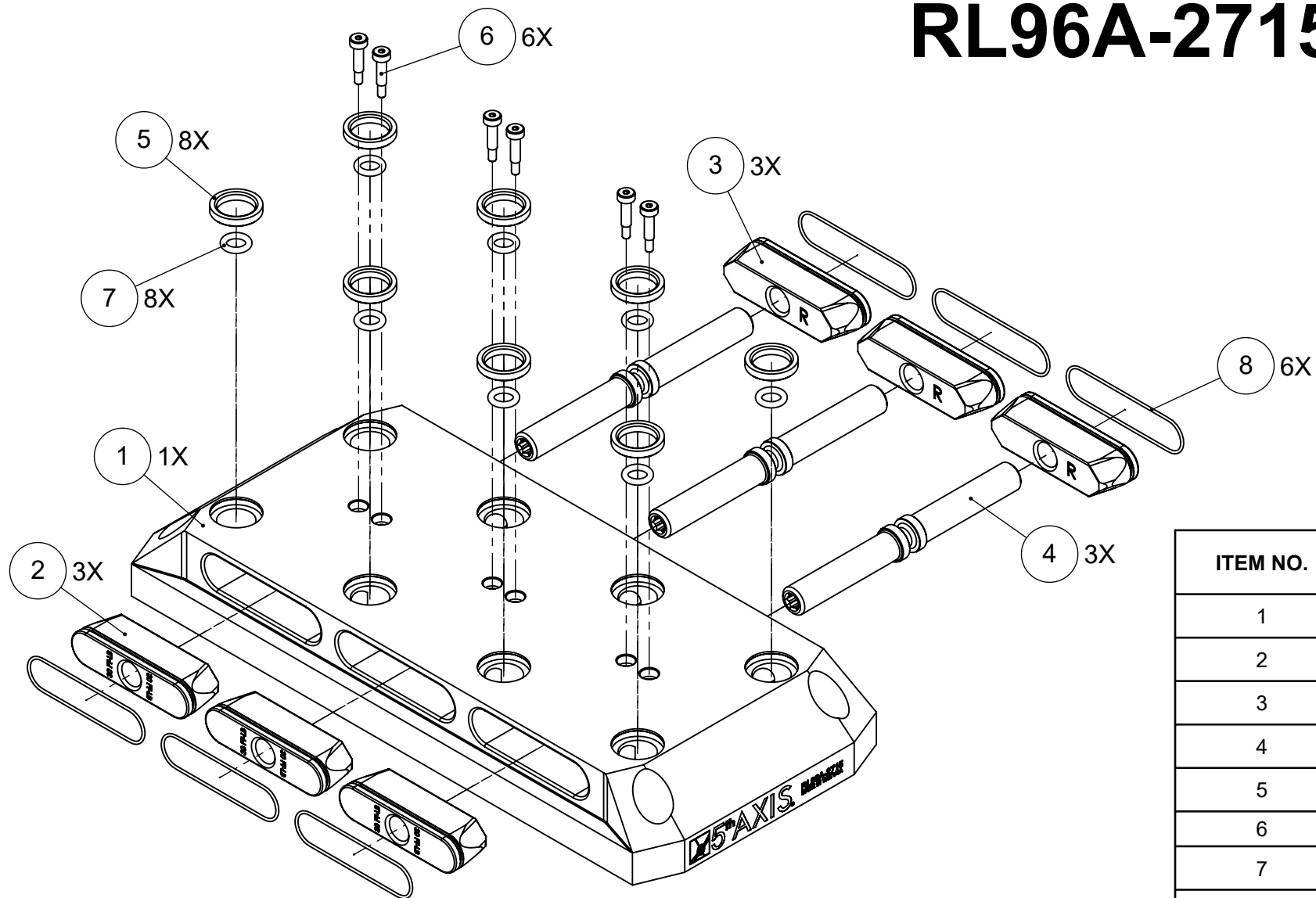
3

2

1

MATERIAL:
RL96A-2715: 6061 ALUMINUM BODY

RL96A-2715



ITEM NO.	PART NUMBER	DESCRIPTION	QTY.
1	RL96-12715A	ROCKLOCK™ BASE	1
2	RL96-2L	LEFT ROCKLOCK™ TRUCK	3
3	RL96-2R	RIGHT ROCKLOCK™ TRUCK	3
4	RL96-3	ROCKLOCK™ LEAD SCREW	3
5	27X20.DB	PRECISION BUSHING	8
6	SB54	SHOULDER BOLT	6
7	9452K183	BASE O-RING	8
8	9452K121	TRUCK O-RING	6
9	9750K73	PLASTIC PLUG (NOT SHOWN)	8

FOR REFERENCE ONLY - NOT FOR RESALE

MILLIMETER <small>DRAWN IN ACCORDANCE WITH ASME Y14.5-2009</small> WWW.5THAXIS.COM 7140 ENGINEER ROAD SAN DIEGO, CA 92111 P (858) 505-0432 F (858) 505-9344	TOLERANCES <small>UNLESS OTHERWISE SPECIFIED</small> x ± 0.1 .xx ± 0.01 .x ± 0.05 .xxx ± 0.005 ANGULAR ± 0.5° THIRD ANGLE PROJECTION			
		DESCRIPTION ROCKLOCK™ 96MM MULTI-POSITION RISER		
		SIZE B	PART NO. RL96A-2715	REV A
		DO NOT SCALE DRAWING	SCALE 1:3	WEIGHT:
				SHEET 2 OF 2

8

7

6

5

4

3

2

1