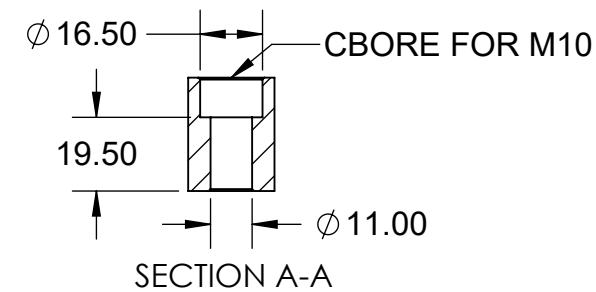
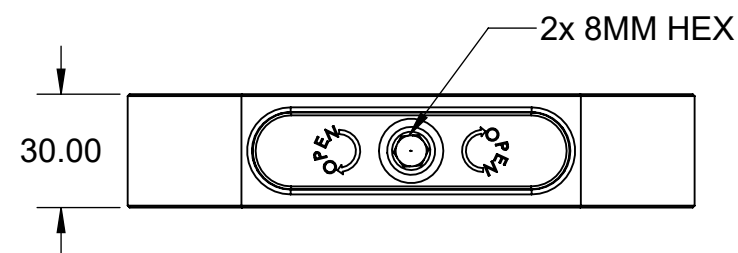
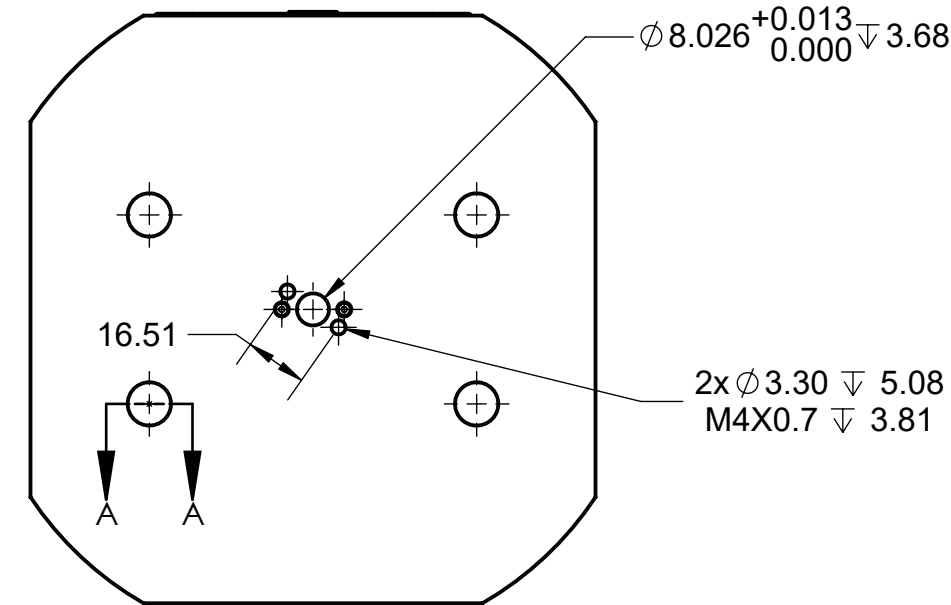
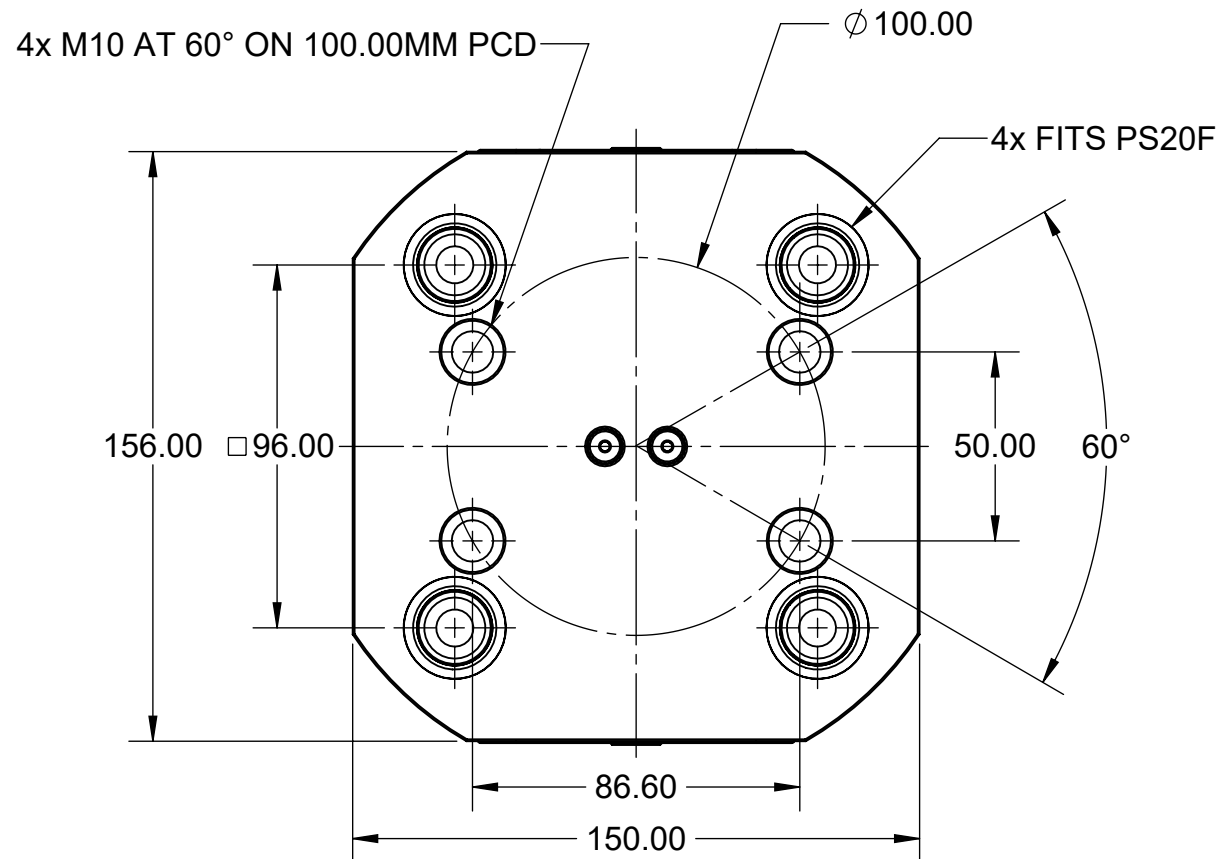
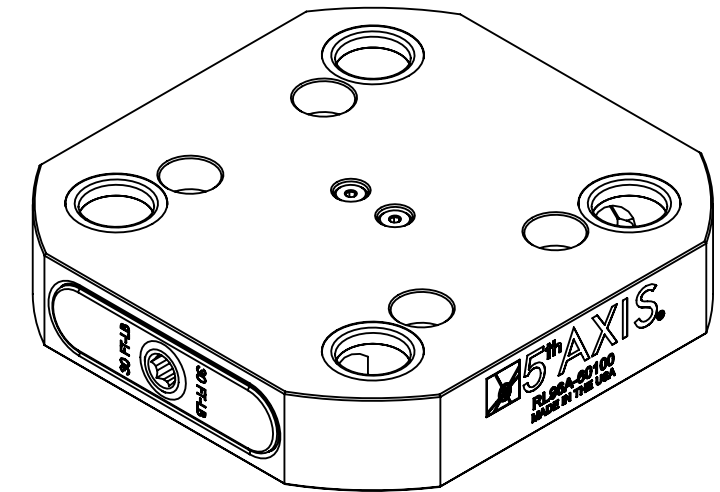


**MATERIAL:**  
**RL96A-60100: 6061 ALUMINUM BODY**  
**RL96S-60100: 1018 STEEL BODY**

# RL96A-60100 RL96S-60100

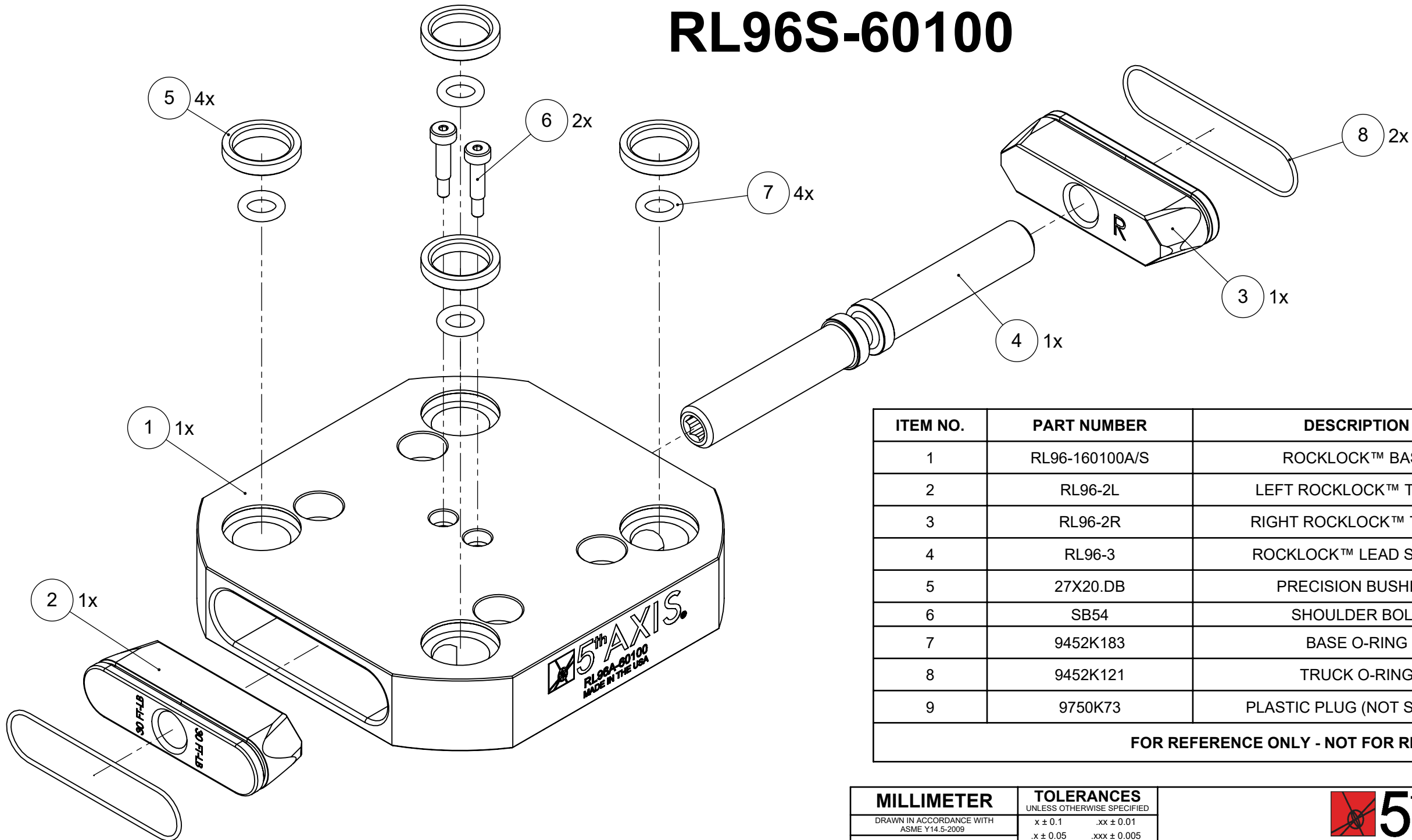


<b>MILLIMETER</b> <small>DRAWN IN ACCORDANCE WITH ASME Y14.5-2009</small>  <small>WWW.5THAXIS.COM</small>  <small>7140 ENGINEER ROAD SAN DIEGO, CA 92111</small>  <small>P (858) 505-0432 F (858) 505-9344</small>	<b>TOLERANCES</b> <small>UNLESS OTHERWISE SPECIFIED</small> x ± 0.1    .xx ± 0.01 .x ± 0.05    .xxx ± 0.005 ANGULAR ± 0.5° <small>THIRD ANGLE PROJECTION</small>			
		<b>DESCRIPTION</b> <b>ROCKLOCK™ 96MM LOW-PROFILE BASE</b>		
		<b>SIZE</b> <b>B</b>	<b>PART NO.</b> <b>RL96A-60100 / RL96S-60100</b>	<b>REV</b> <b>A</b>
DO NOT SCALE DRAWING		SCALE 1:2	WEIGHT:	SHEET 1 OF 2

8 7 6 5 4 3 2 1

**MATERIAL:**  
**RL96A-60100: 6061 ALUMINUM BODY**  
**RL96S-60100: 1018 STEEL BODY**

# RL96A-60100 RL96S-60100



ITEM NO.	PART NUMBER	DESCRIPTION	QTY.
1	RL96-160100A/S	ROCKLOCK™ BASE	1
2	RL96-2L	LEFT ROCKLOCK™ TRUCK	1
3	RL96-2R	RIGHT ROCKLOCK™ TRUCK	1
4	RL96-3	ROCKLOCK™ LEAD SCREW	1
5	27X20.DB	PRECISION BUSHING	4
6	SB54	SHOULDER BOLT	2
7	9452K183	BASE O-RING	4
8	9452K121	TRUCK O-RING	2
9	9750K73	PLASTIC PLUG (NOT SHOWN)	4

**FOR REFERENCE ONLY - NOT FOR RESALE**

<b>MILLIMETER</b> <small>DRAWN IN ACCORDANCE WITH ASME Y14.5-2009</small>  <small>WWW.5THAXIS.COM</small>  <small>7140 ENGINEER ROAD SAN DIEGO, CA 92111</small>  <small>P (858) 505-0432 F (858) 505-9344</small>	<b>TOLERANCES</b> <small>UNLESS OTHERWISE SPECIFIED</small> x ± 0.1    .xx ± 0.01 .x ± 0.05    .xxx ± 0.005 ANGULAR ± 0.5° THIRD ANGLE PROJECTION			
		<b>DESCRIPTION</b> <b>ROCKLOCK™ 96MM LOW-PROFILE BASE</b>		
<b>SIZE</b> <b>PART NO.</b> <b>B</b> <b>RL96A-60100 / RL96S-60100</b>		<b>REV</b> <b>A</b>		
<small>DO NOT SCALE DRAWING</small>		<small>SCALE 2:3</small>	<small>WEIGHT:</small>	<small>SHEET 2 OF 2</small>

8 7 6 5 4 3 2 1