

8

7

6

5

4

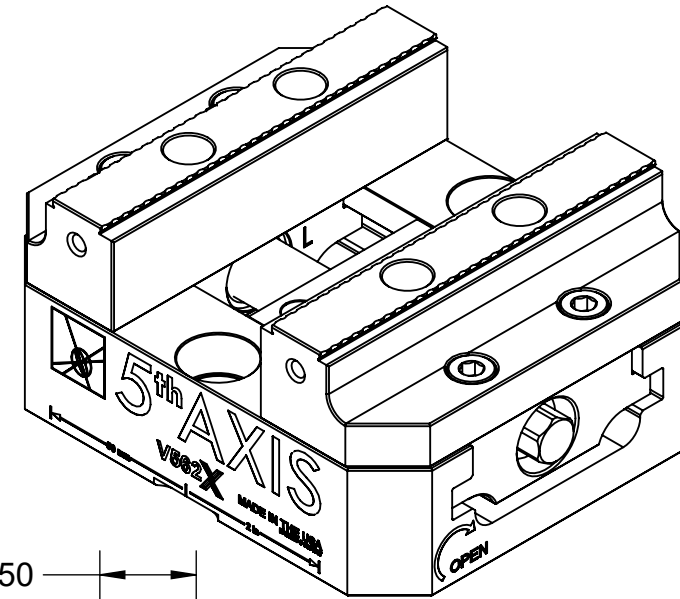
3

2

1

TECHNICAL DATA	V562X
JAW WIDTH	125.73mm
BASE LENGTH	152.40mm
MAXIMUM TORQUE (JAW BOLT)	47.45 Nm
CLAMPING FORCE	25.13kN @ 74.57 Nm
MAXIMUM TORQUE (LEADSCREW)	74.57 Nm
MAXIMUM TORQUE (MOUNTING BOLT)	47.45 Nm
SELF-CENTERING ACCURACY	± 12.7µm

V562X



D

D

C

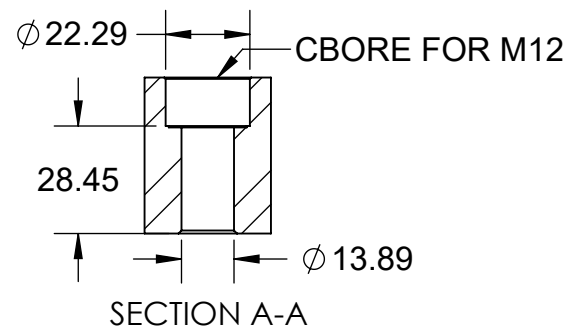
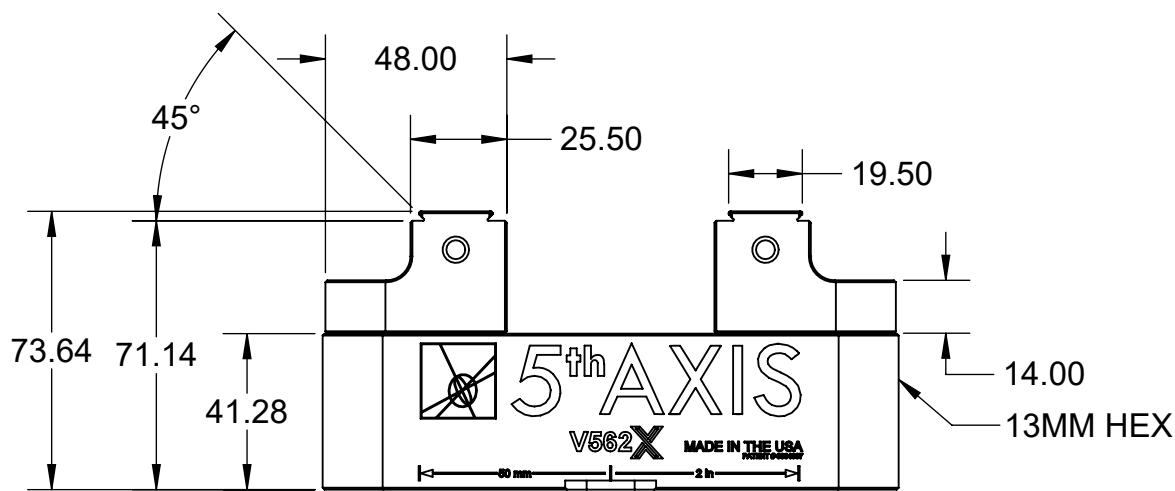
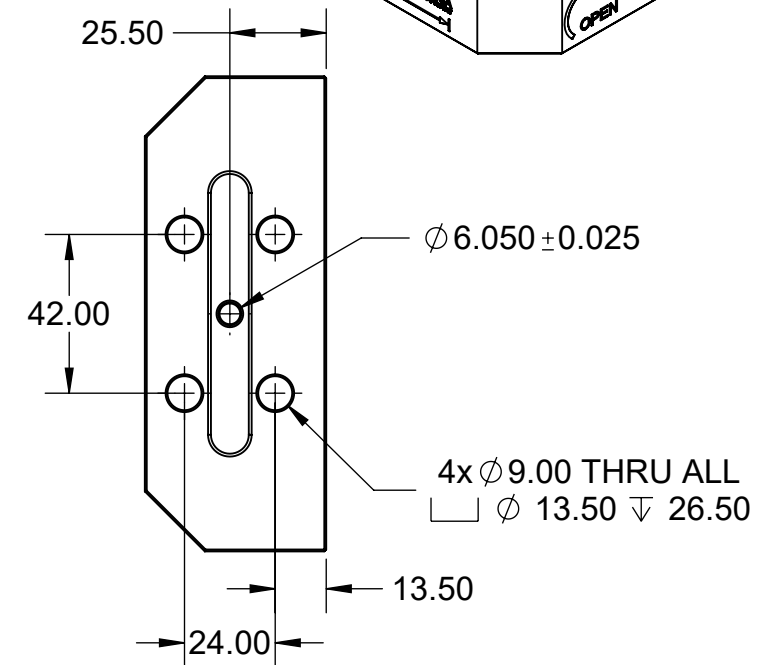
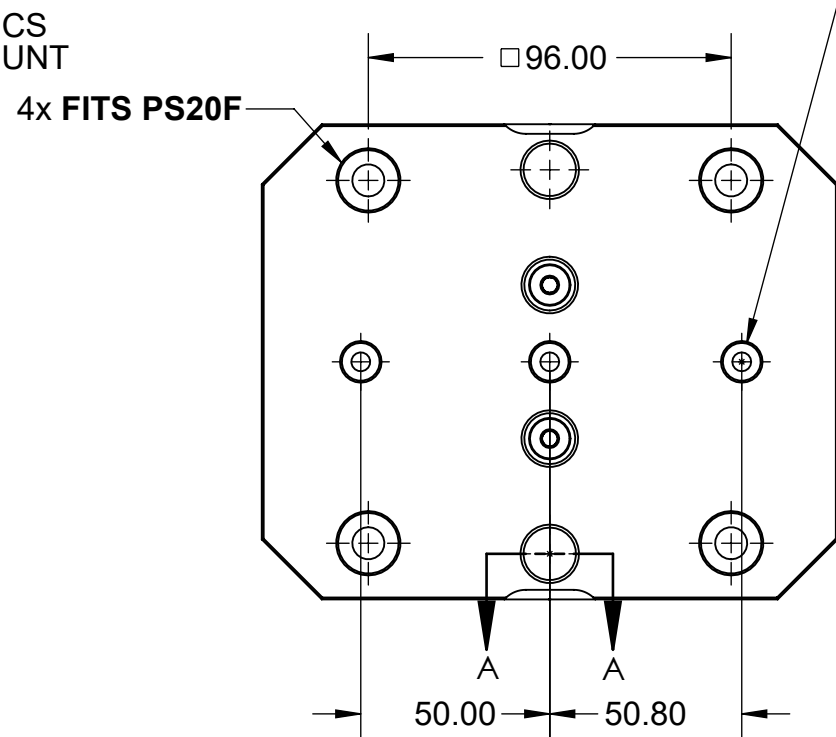
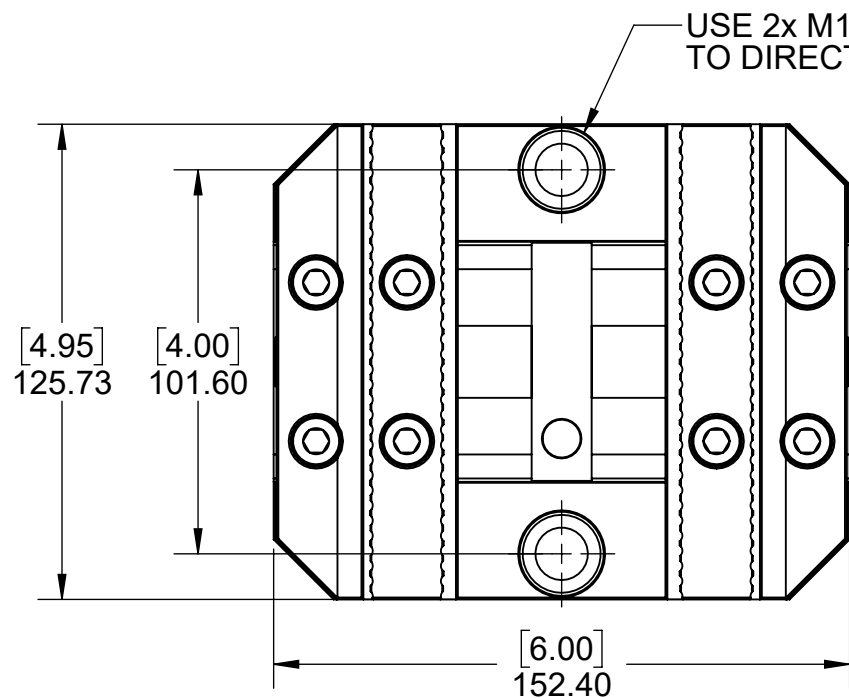
C

B

B

A

A



MILLIMETER		TOLERANCES UNLESS OTHERWISE SPECIFIED		5 th AXIS [®]			
DRAWN IN ACCORDANCE WITH ASME Y14.5-2009		x ± 0.1	.xx ± 0.01	DESCRIPTION MEDIUM SELF-CENTERING VISE			
WWW.5THAXIS.COM		.x ± 0.05	.xxx ± 0.005				
7140 ENGINEER ROAD SAN DIEGO, CA 92111		ANGULAR ± 0.5°					
P (858) 505-0432 F (858) 505-9344		THIRD ANGLE PROJECTION		SIZE B	PART NO. V562X		
				DO NOT SCALE DRAWING	SCALE 1:2	WEIGHT:	SHEET 1 OF 3

8

7

6

5

4

3

2

1

8

7

6

5

4

3

2

1

D

D

V562X

C

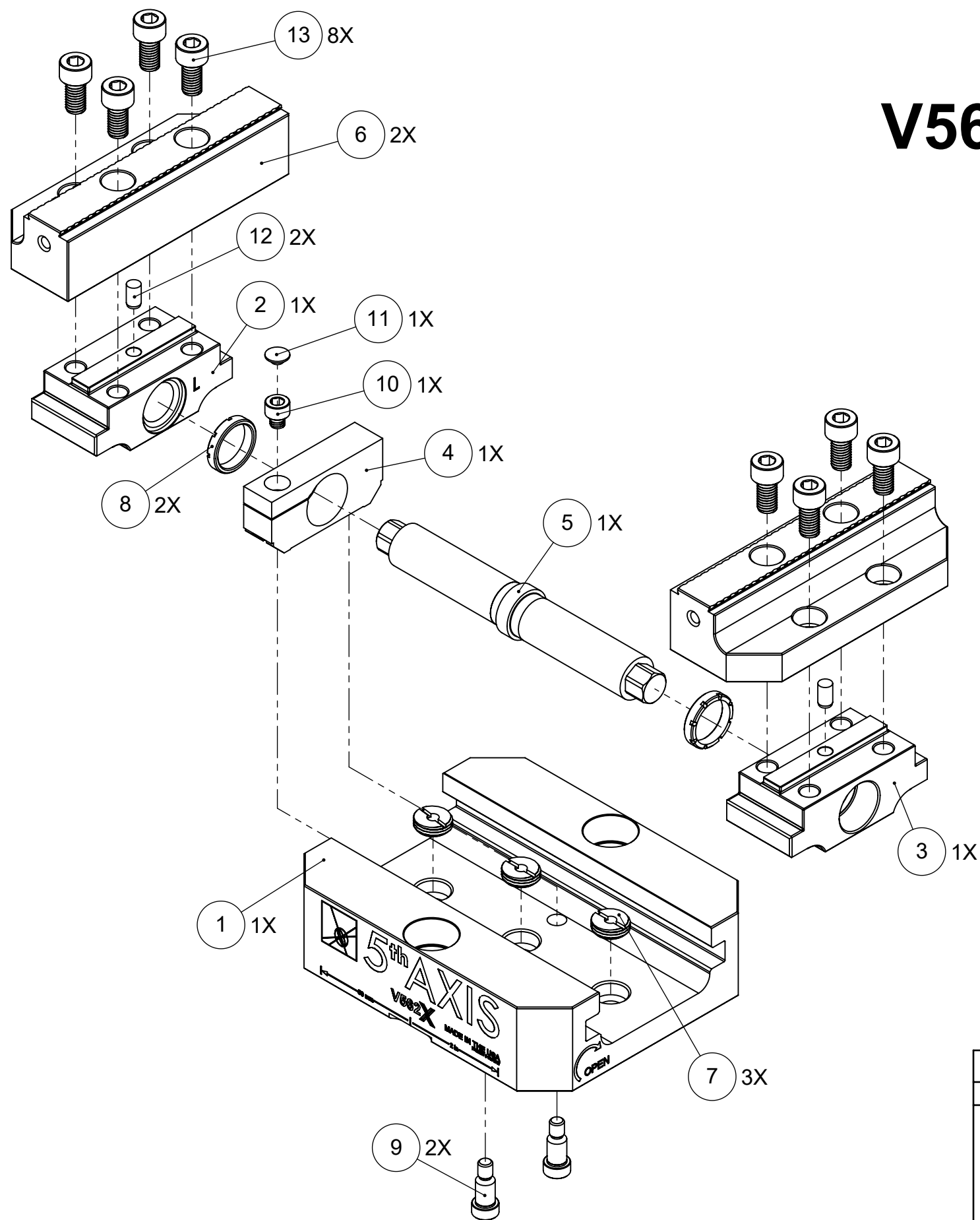
C

B

B

A

A



ITEM NO.	PART NUMBER	DESCRIPTION	QTY.
1	V562X-1	BASE	1
2	V562X-2L	LEFT TRUCK	1
3	V562X-2R	RIGHT TRUCK	1
4	V562MX-3	CENTER BLOCK	1
5	V562M-4	LEAD SCREW	1
6	V562X-5	JAW	2
7	TIM-58	THREADED INSERT	3
8	V56124-6	CENTER BLOCK RING	2
9	SB5VX	SHOULDER BOLT	2
10	91290A310	SOCKET HEAD CAP SCREW	1
11	M6C	PLASTIC PLUG	1
12	M6X12.DP	DOWEL PIN, M6 X 12mm	2
13	91290A418	SOCKET HEAD CAP SCREW	8
14	ANTI-SEIZE	ANTI-SEIZE (NOT SHOWN)	1
15	LP10	LOCATING PIN (NOT SHOWN)	2
16	TS13	THUMB SCREW (NOT SHOWN)	1

FOR REFERENCE ONLY - NOT FOR RESALE

MILLIMETER

DRAWN IN ACCORDANCE WITH
ASME Y14.5-2009

WWW.5THAXIS.COM

7140 ENGINEER ROAD
SAN DIEGO, CA 92111

P (858) 505-0432
F (858) 505-9344

TOLERANCES

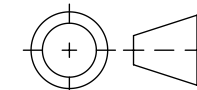
UNLESS OTHERWISE SPECIFIED

x ± 0.1 .xx ± 0.01

.x ± 0.05 .xxx ± 0.005

ANGULAR ± 0.5°

THIRD ANGLE PROJECTION



MEDIUM SELF-CENTERING VISE

DESCRIPTION

SIZE

PART NO.

B

V562X

REV

A

DO NOT SCALE DRAWING

SCALE 1:2

WEIGHT:

SHEET 2 OF 3

8

7

6

5

4

3

2

1

8

7

6

5

4

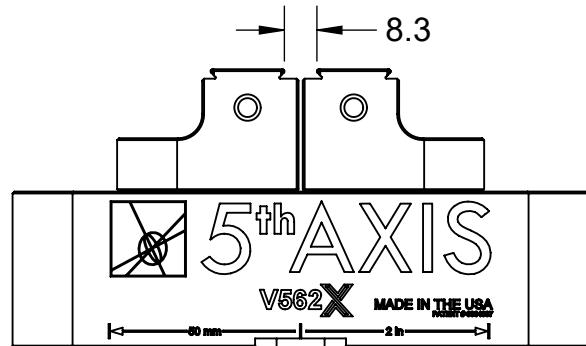
3

2

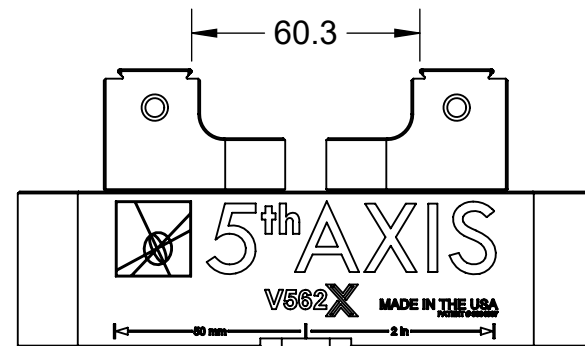
1

NOTE: USING DOVETAIL ALLOWS VISE TO CLAMP LARGER PART.
BELOW CLAMPING RANGE ONLY SHOWS THE CAPABILITY OF THE GRIPPER TEETH.

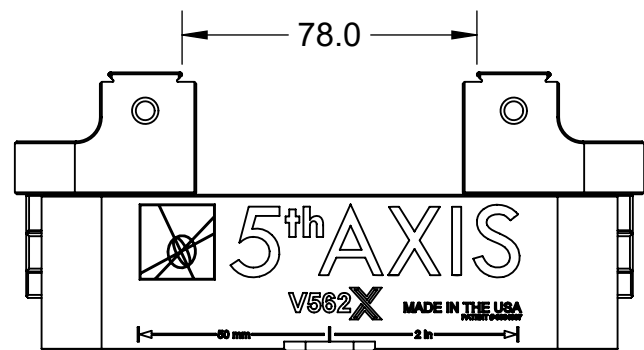
V562X



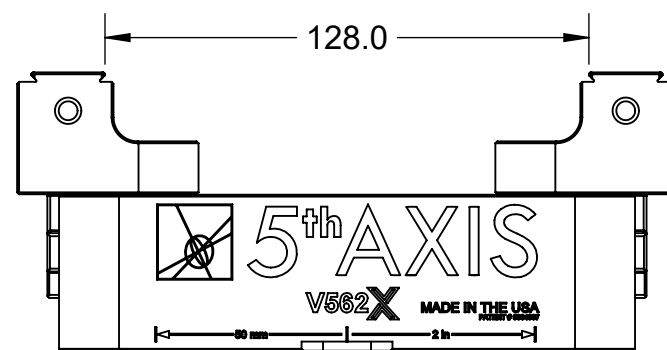
FORWARD JAWS (MINIMUM CLAMPING RANGE)




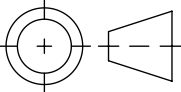
REVERSE JAWS (MINIMUM CLAMPING RANGE)



FORWARD JAWS (MAXIMUM CLAMPING RANGE)



REVERSE JAWS (MAXIMUM CLAMPING RANGE)

MILLIMETER <small>DRAWN IN ACCORDANCE WITH ASME Y14.5-2009</small>	TOLERANCES <small>UNLESS OTHERWISE SPECIFIED</small> x ± 0.1 .xx ± 0.01 .x ± 0.05 .xxx ± 0.005 ANGULAR ± 0.5° <small>THIRD ANGLE PROJECTION</small>			
		DESCRIPTION MEDIUM SELF-CENTERING VISE		
WWW.5THAXIS.COM 7140 ENGINEER ROAD SAN DIEGO, CA 92111 P (858) 505-0432 F (858) 505-9344		SIZE B	PART NO. V562X	REV A
DO NOT SCALE DRAWING		SCALE 1:2	WEIGHT:	SHEET 3 OF 3

8

7

6

5

4

3

2

1